



SPARCstation 5 Service Manual

A Sun Microsystems, Inc.
Business
901 San Antonio Road
Palo Alto, , CA 94303-4900

Part No: 801-6396-11
Revision A, August 1994

USA 650 960-1300 fax 650 969-9131



SPARCstation 5 Service Manual

Part No: 801-6396-11
Revision A, August 1994

Copyright 1994 Sun Microsystems, Inc. 901 San Antonio Road, Palo Alto, California 94303-4900 U.S.A. All rights reserved.

All rights reserved. This product or document is protected by copyright and distributed under licenses restricting its use, copying, distribution, and decompilation. No part of this product or document may be reproduced in any form by any means without prior written authorization of Sun and its licensors, if any.

Portions of this product may be derived from the UNIX[®] system, licensed from Novell, Inc., and from the Berkeley 4.3 BSD system, licensed from the University of California. UNIX is a registered trademark in the United States and in other countries and is exclusively licensed by X/Open Company Ltd. Third-party software, including font technology in this product, is protected by copyright and licensed from Sun's suppliers. RESTRICTED RIGHTS: Use, duplication, or disclosure by the U.S. Government is subject to restrictions of FAR 52.227-14(g)(2)(6/87) and FAR 52.227-19(6/87), or DFAR 252.227-7015(b)(6/95) and DFAR 227.7202-3(a).

Sun, Sun Microsystems, the Sun logo, and Solaris are trademarks or registered trademarks of Sun Microsystems, Inc. in the United States and in other countries. All SPARC trademarks are used under license and are trademarks or registered trademarks of SPARC International, Inc. in the United States and in other countries. Products bearing SPARC trademarks are based upon an architecture developed by Sun Microsystems, Inc.

The OPEN LOOK[®] and Sun[™] Graphical User Interfaces were developed by Sun Microsystems, Inc. for its users and licensees. Sun acknowledges the pioneering efforts of Xerox Corporation in researching and developing the concept of visual or graphical user interfaces for the computer industry. Sun holds a nonexclusive license from Xerox to the Xerox Graphical User Interface, which license also covers Sun's licensees who implement OPEN LOOK GUIs and otherwise comply with Sun's written license agreements.

THIS PUBLICATION IS PROVIDED "AS IS" WITHOUT WARRANTY OF ANY KIND, EITHER EXPRESS OR IMPLIED, INCLUDING, BUT NOT LIMITED TO, THE IMPLIED WARRANTIES OF MERCHANTABILITY, FITNESS FOR A PARTICULAR PURPOSE, OR NON-INFRINGEMENT.

Copyright 1994 Sun Microsystems, Inc., 901 San Antonio Road, Palo Alto, Californie 94303-4900 U.S.A. Tous droits réservés.

Ce produit ou document est protégé par un copyright et distribué avec des licences qui en restreignent l'utilisation, la copie et la décompilation. Aucune partie de ce produit ou de sa documentation associée ne peut être reproduite sous aucune forme, par quelque moyen que ce soit, sans l'autorisation préalable et écrite de Sun et de ses bailleurs de licence, s'il y en a.

Des parties de ce produit pourront être dérivées du système UNIX[®] licencié par Novell, Inc. et du système Berkeley 4.3 BSD licencié par l'Université de Californie. UNIX est une marque enregistrée aux Etats-Unis et dans d'autres pays, et licenciée exclusivement par X/Open Company Ltd. Le logiciel détenu par des tiers, et qui comprend la technologie relative aux polices de caractères, est protégé par un copyright et licencié par des fournisseurs de Sun.

Sun, Sun Microsystems, le logo Sun, et Solaris sont des marques déposées ou enregistrées de Sun Microsystems, Inc. aux Etats-Unis et dans d'autres pays. Toutes les marques SPARC, utilisées sous licence, sont des marques déposées ou enregistrées de SPARC International, Inc. aux Etats-Unis et dans d'autres pays. Les produits portant les marques SPARC sont basés sur une architecture développée par Sun Microsystems, Inc.

Les utilisateurs d'interfaces graphiques OPEN LOOK[®] et Sun[™] ont été développés de Sun Microsystems, Inc. pour ses utilisateurs et licenciés. Sun reconnaît les efforts de pionniers de Xerox Corporation pour la recherche et le développement du concept des interfaces d'utilisation visuelle ou graphique pour l'industrie de l'informatique. Sun détient une licence non exclusive de Xerox sur l'interface d'utilisation graphique, cette licence couvrant aussi les licenciés de Sun qui mettent en place les utilisateurs d'interfaces graphiques OPEN LOOK et qui en outre se conforment aux licences écrites de Sun.

CETTE PUBLICATION EST FOURNIE "EN L'ETAT" SANS GARANTIE D'AUCUNE SORTE, NI EXPRESSE NI IMPLICITE, Y COMPRIS, ET SANS QUE CETTE LISTE NE SOIT LIMITATIVE, DES GARANTIES CONCERNANT LA VALEUR MARCHANDE, L'APTITUDE DES PRODUITS A REPENDRE A UNE UTILISATION PARTICULIERE OU LE FAIT QU'ILS NE SOIENT PAS CONTREFAISANTS DE PRODUITS DE TIERS.



Contents

	Preface	x
1.	Product Description	1
	Standard Features	1
	Subassemblies, Boards, and Components	2
	Interior View	2
	Rear View of SPARCstation 5 System	3
	Internal Options	4
	External Options	5
2.	Troubleshooting Overview	7
	Factory-Defined Boot Mode	7
	After Power Is Switched On	10
	Diagnostic Tools and When to Use Them	12
	Power-On Self-Test	13
	FORTH-Based PROM Diagnostics	14
	FORTH Monitor	18
	SunDiag System Exerciser	18
	SunDiagnostic Executive	18
3.	Power-On Self-Test (POST)	19
	Power-On Self-Test (POST)	19

	Normal Mode	22
	Full Diagnostic Mode	22
	Abbreviated Diagnostic Mode	23
	Setting Up a t <i>ip</i> Connection to Another System	23
	Tests the POST Runs	24
	POST Error Messages	25
	Status Lights (LEDs) and Indicators	25
4.	Troubleshooting Procedures	27
	No Video Output on the System Monitor	28
	Power-On Does Not Succeed	29
	Power Supply Test	29
	System Board Test	31
	Disk Drive Errors	32
	Verifying the Built-In SCSI Controller	32
	Determining Faulty DSIMM Locations	33
5.	Safety and Tools Requirements	37
	Safety Requirements	37
	Symbols	38
	System Precautions	39
	Tools Required	40
	Electrostatic Discharge (ESD) Precautions	40
6.	Power On and Off	43
	Powering Off the System	43
	When the System Is Working Normally	43
	When the System Does Not Respond Normally	44
	Powering On the System	46
7.	Internal Access	47
	Removing the Cover	47

Attaching the Wrist Strap	49
Replacing the Cover	50
8. Major Subassemblies	53
Power Supply	53
Removing the Power Supply	53
Replacing the Power Supply	55
Power LED	57
Removing the Power LED	57
Replacing the Power LED	58
Internal Speaker	60
Removing the Internal Speaker	60
Replacing the Internal Speaker	63
SCSI Backplane	64
Removing the SCSI Backplane	64
Replacing the SCSI Backplane	66
9. Storage Devices	67
Hard Disk Drive	67
Removing a Hard Disk Drive	68
Replacing a Hard Disk Drive	69
CD-ROM Drive	71
Removing the CD-ROM Drive	71
Replacing the CD-ROM Drive	72
Diskette Drive	74
Removing the Diskette Drive	75
Replacing the Diskette Drive	78
Internal SCSI Data Cable	81
Removing the Internal SCSI Cable	81
Replacing the Internal SCSI Data Cable	83

DC Power Harness	86
Removing the DC Power Harness	86
Replacing the DC Power Harness	90
Diskette Data Cable	92
Removing the Diskette Data Cable	92
Replacing the Diskette Data Cable	93
CD-ROM Audio Cable	94
Removing the CD-ROM Audio Cable	94
Replacing the CD-ROM Audio Cable	95
10. System Board Overview	97
Damage Prevention	97
Handling System Boards and Assemblies	97
System Board Layout	98
Replaceable System Board Components	99
11. System Board and Component Replacement	101
SBus Cards	101
Removing an SBus Card	102
Replacing an SBus Card	105
S24 Frame Buffer Card	107
Removing an S24 Frame Buffer Card	108
Replacing an S24 Frame Buffer Card	110
DSIMMs	113
Removing a DSIMM	113
Replacing a DSIMM	115
System Board	117
Removing the System Board	117
Replacing the System Board	120
Setting Jumpers	122

	NVRAM	124
	Removing the NVRAM Chip	124
	Replacing the NVRAM Chip	125
12.	Illustrated Parts Breakdown	127
	Illustrations of Selected CRUs	127
	Replacement Parts List	131
A.	System Specifications	133
	Physical Specifications	133
	Input Power Requirements	134
	Environmental Requirements	134
B.	SPARCstation 5 Input/Output Connectors	137
	SCSI Connector (External)	137
	Parallel Port Micro-D Connector	139
	Attachment Unit Interface (AUI) Micro-D Connector	140
	Twisted-Pair Ethernet Connector	141
	Serial Connector Ports A and B	141
	Keyboard/Mouse Connector	142
	Audio Ports	143
	Headphone Connector	144
	Audio Line-out Connector	144
	Audio Line-in Connector	144
	Microphone Connector	145
	13W3 Video Connector	145
C.	SCSI Targeting	147
D.	FORTH Diagnostics	149
	Running the FORTH Diagnostics	149
	test <alias name>, test <device path>	151
	test-all	151

watch-clock 151

watch-net, watch-aui, watch-tpe, and watch-net-all 152

probe-scsi, probe-scsi-all 154

module-info 154

test-memory 155

Returning to the Old-Style Sunmon Compatibility Mode Prompt 155

Glossary 157

Index 161

Preface

This service manual describes how to troubleshoot problems and replace parts in the SPARCstation™ 5 computer system. Technicians, advanced computer system end-users (with experience replacing hardware and troubleshooting), system administrators, or qualified service providers should use this book.

Document Organization

This book is divided into seven parts. A table, at the beginning of each part, lists the chapters, sections, and page numbers.

- Part 1, “System Information,” provides an overview of the SPARCstation 5 standard features, internal options, and external options.
- Part 2, “Troubleshooting,” provides a troubleshooting overview, describes how to run and troubleshoot errors displayed during the Power-On Self-Test (POST), and presents symptoms and corrective actions.
- Part 3, “Preparing for Service,” explains safety requirements, symbols used in this book, tools required, and how to shut down, power off, and power on the system.
- Part 4, “Subassembly Removal and Replacement,” describes how to open and close the system, attach and remove a wrist strap, and remove and replace subassemblies.
- Part 5, “System Board,” provides an overview of the system board, describes how to remove and replace the system board and replaceable parts and components on the system board.
- Part 6, “Illustrated Parts Breakdown,” provides illustrations of the major replaceable parts and lists part numbers.

- Part 7, “Appendixes, Glossary, Index,” provides physical, electrical, and environmental specifications, connector pinouts and signal descriptions, information on SCSI targeting, a glossary of technical terms, and an index.

Related Documentation

The following manuals describe software troubleshooting procedures:

- OpenBoot Command Reference
- *SunDiag User's Guide*
- System administration manual for the computer system
- Operating system documentation

Typographic Conventions

The following table describes the type changes and symbols used in this book.

TABLE P-1 Typographic Conventions

Typeface or Symbol	Meaning	Example
AaBbCc123	The names of commands, files, and directories; on-screen computer output	Edit your <code>.login</code> file. Use <code>ls -a</code> to list all files. <code>system% You have mail.</code>
AaBbCc123	What you type, contrasted with on-screen computer output	<code>system% supassword:</code>
<i>AaBbCc123</i>	Command-line placeholder: replace with a real name or value	To delete a file, type <code>rm filename</code> .
<i>AaBbCc123</i>	Book titles, new words or terms, or words to be emphasized	Read Chapter 6 in <i>Owner's Guide</i> . These are called <i>class</i> options. You <i>must</i> be root to do this.

Code samples are included in boxes and may display the following:

TABLE P-1 Typographic Conventions *(continued)*

Typeface or Symbol	Meaning	Example
%	UNIX C shell prompt	system%
\$	UNIX Bourne and Korn shell prompt	\$
#	Superuser prompt, all shells	#

Product Description

This chapter presents a brief overview of the major components of the SPARCstation 5 system. Please acquaint yourself with the overview before servicing and maintaining the hardware for this product.

Standard Features

The SPARCstation 5 system accommodates the following storage devices:

- 535-Mbyte single-connector hard disk drive
- 1.05-Gbyte single-connector hard disk drive
- Diskette drive
- Internal CD-ROM drive

It also accommodates up to 256 Mbytes of memory using dynamic single in-line memory modules (DSIMMs). The system has four audio ports on the back panel and includes an internal speaker. Figure 1-1 shows a typical SPARCstation 5 system.

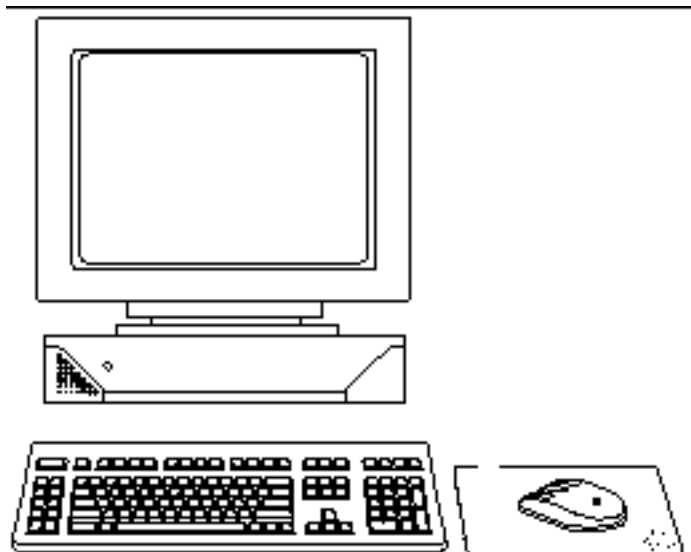


Figure 1-1 Basic SPARCstation 5 System

Subassemblies, Boards, and Components

The SPARCstation 5 system unit accommodates the following subassemblies, boards, and components:

- System board
- DSIMMs (up to 8)
- S24 graphics card
- SBus cards (up to 3)
- Hard disk drives, 3.5-inch, 88.0-mm, single-connector (up to 2)
- CD-ROM drive
- Diskette drive (3.5-inch)
- Power supply (150-watt with 2 fans)

Interior View

Figure 1-2 shows an interior view of the major subassemblies and the system board for the SPARCstation 5 system.

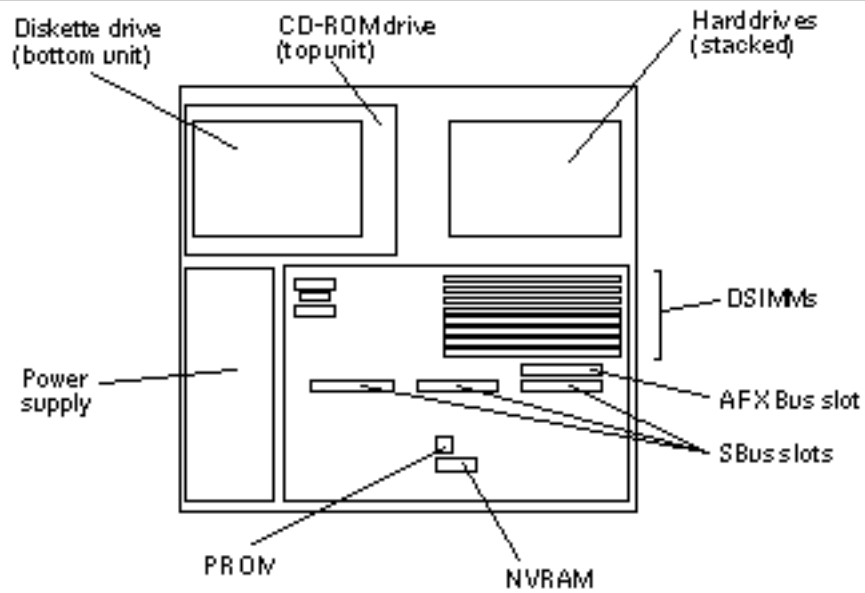


Figure 1-2 Interior View of SPARCstation 5 System

Rear View of SPARCstation 5 System

Figure 1-3 shows the rear view of the system.

Legend:

- 1—AC On/Standby switch
- 2—AC power outlet
- 3—Lock block
- 4—SBus
- 5—SBus or AFX Bus
- 6—AC power receptacle

- 7—SCSI
- 8—Parallel
- 9—AUI Ethernet
- 10—Twisted-pair Ethernet
- 11—Serial port B
- 12—Serial port A

- 13—Keyboard
- 14—Audio, headphone
- 15—Audio, line-out
- 16—Audio, line-in
- 17—Audio, microphone

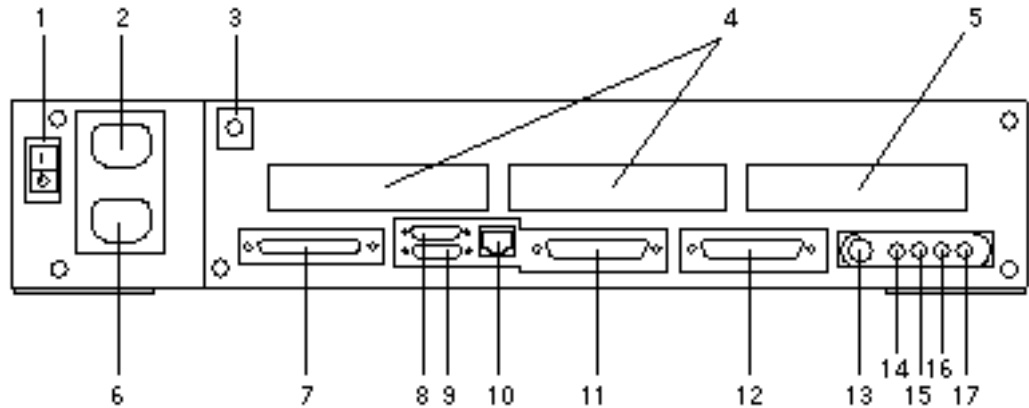


Figure 1-3 Rear View of SPARCstation 5 System

Internal Options

Table 1-1 lists the internal options.

TABLE 1-1 Internal Options

Option	Quantity	Comments
S24 card	1	Provides accelerated 24-bit color graphics on the system AFX Bus.
SBus cards	Up to 3	System board provides up to three SBus slots for additional system functionality.

TABLE 1-1 Internal Options *(continued)*

Option	Quantity	Comments
Hard disk drives	1 or 2	System supports up to two disk drives of varying capacities. See Chapter 9," for more information.
CD-ROM drive	1	Internal CD-ROM drive.
Diskette drive	1	Internal diskette drive for diskette I/O.
DSIMMs	Up to 8	System supports up to 256 Mbytes of dynamic single in-line memory modules (DSIMMs).

External Options

Table 1-2 lists selected external small computer system interface (SCSI) options.

TABLE 1-2 Selected External SCSI Peripheral Options

Unit	Description
Desktop Backup Pack	150-Mbyte tape drive or DAT tape drive.
Desktop Disk Pack	Disk expansion unit with a variety of SCSI disk drive capacities.
Desktop SunCD [™] Pack	Compact CD-ROM disc drive.
Desktop Storage Module	1.3-Gbyte disk drive or 5.0-Gbyte tape drive.
SCSI Expansion Pedestal	Up to seven SCSI disks, compact CD-ROM drive, tape drive, other non-disk units.
Multi-Disk Pack	Desktop enclosure containing a disk array of SCSI disk drives.

TABLE 1-2 Selected External SCSI Peripheral Options *(continued)*

Unit	Description
20-Gbyte 4-mm Desktop Tape Auto-Loader	Desktop enclosure containing a tape drive with multiple magazine cartridges; provides up to 20 Gbytes of tape backup storage.
SCSI Expansion Pedestal	Holds up to eight disk drives and two or three removable media in the upper tray. Requires a minimum of two SCSI controllers if all three trays are used. You cannot have more than seven SCSI devices on each SCSI bus.

Troubleshooting Overview

This chapter describes the factory-defined boot sequence. It also describes the different types of SPARCstation 5 diagnostic firmware and software tools that are available to you for troubleshooting; the chapter explains how the tools are related and when to use them.

Factory-Defined Boot Mode

The flowcharts in Figure 2-1 and Figure 2-2 outline the roles played by various diagnostics during a *factory-defined boot* operation under the control of the OpenBoot™ PROM (OBP) firmware.

The following sections describe the relationship between the various diagnostic tools, and the role each tool plays during the SPARCstation 5 factory-defined boot sequence. The descriptions in the following sections assume you are using a graphics monitor to view test results.

Figure 2-1 (POST phase) and Figure 2-2 (OBP phase) graphically depict the flow of OBP processing control, after power is switched on. Each figure depicts the possible paths for processing control, and the switch settings for the factory-defined boot sequence. By examining the two flowcharts you can see where in the processing sequence other diagnostic tests are available or are encountered.

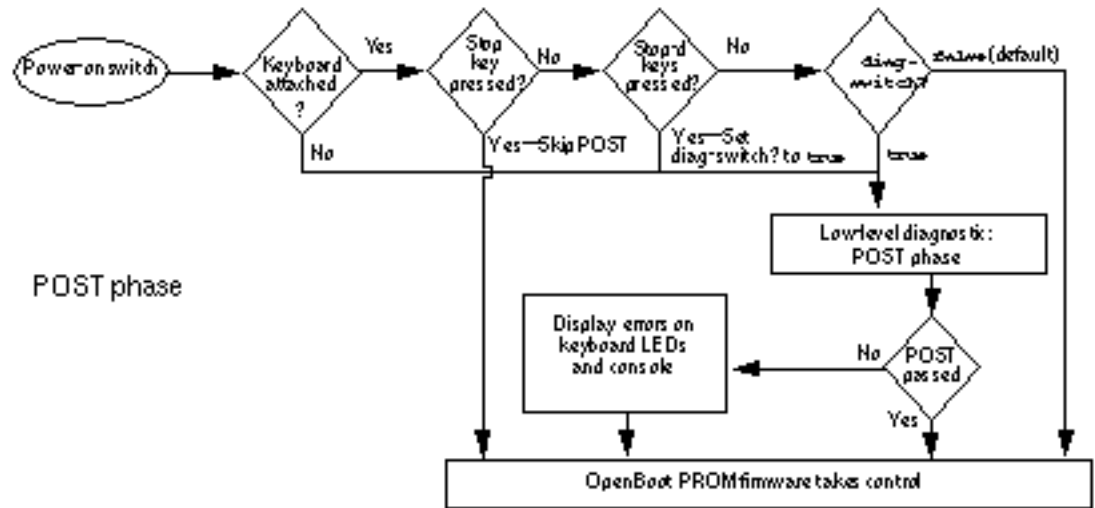


Figure 2-1 Factory-Defined Boot Sequence—POST Phase Settings and Tests

If you need to run extended FORTH Diagnostics to take advantage of more extensive tests, see Appendix D.”

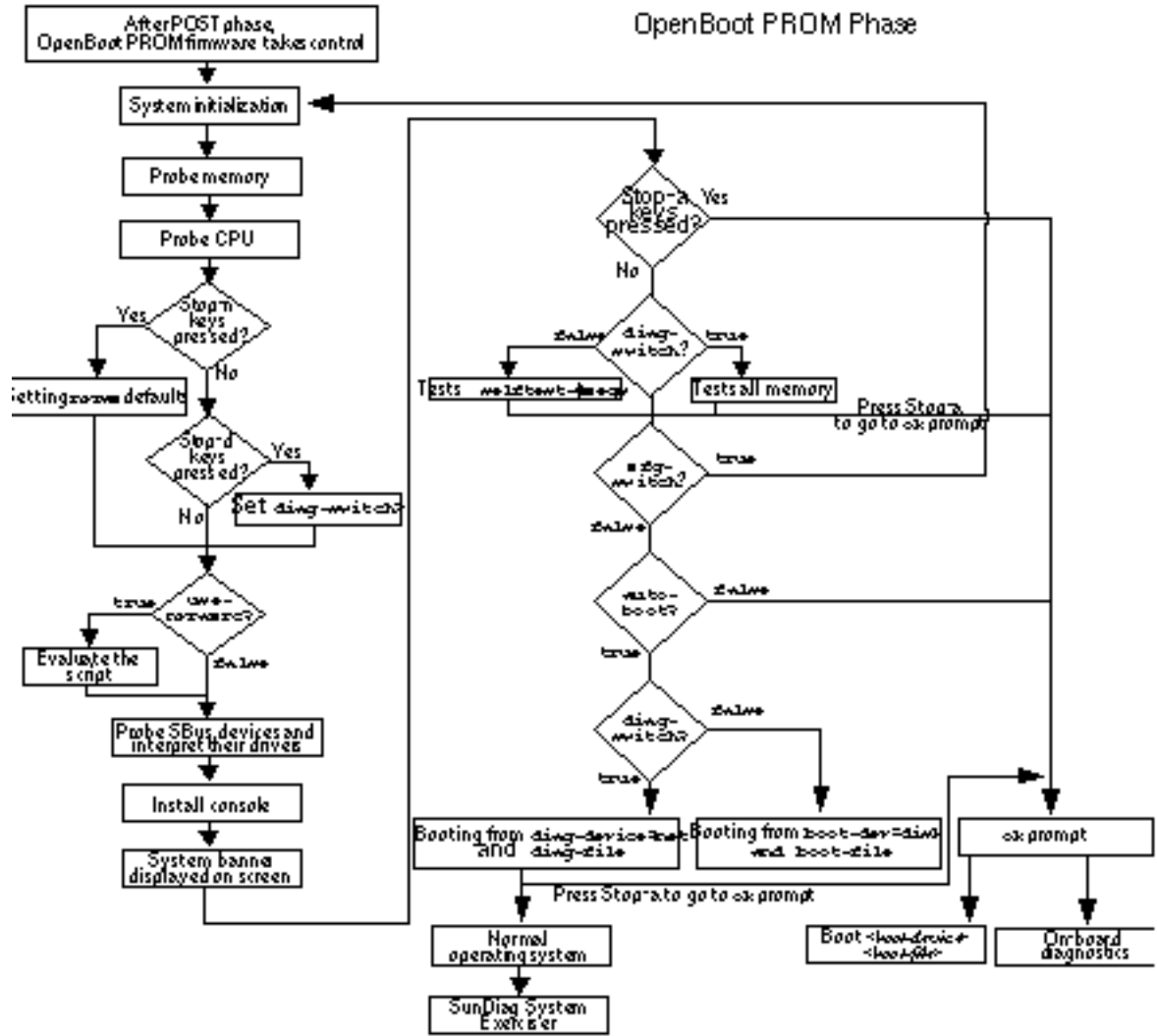


Figure 2-2 Factory-Defined Boot Sequence—OpenBoot PROM Phase Settings and Tests

After Power Is Switched On

When you turn on the system power, the low-level POST phase is initiated if any of the following circumstances apply:

- `diag-switch?` NVRAM parameter is set to `true`.
- Stop-d keys are held down when you turn on the power.
- Keyboard is disconnected, and `diag-switch?` is set to `false`.

The low-level POST code, which is stored in the boot PROM, is designed to test the most basic functions of the system hardware. The status of the POST is conveyed by four LEDs on the Sun Type-4, Type-5, and Compact 1 keyboards. The Caps Lock LED blinks to indicate that the tests are in progress. If a failure is detected during low-level POST, one of the other three LEDs will light to indicate the nature of the failure. See Chapter 3," for more information.

Note - You can skip the POST phase by turning on the system while holding down the Stop key.

At the successful completion of the low-level POST phase, the OpenBoot PROM firmware takes control and performs the following initialization sequence:

- Initialize system
- Probe memory, then CPU
- Evaluate Script (if `use-nvramrc?` is set to `true`)
- Probe SBus devices and interpret their drivers
- Install the console (see Figure 2-2)

After initialization, a system banner appears on the screen, and the high-level testing begins. When the high-level tests are finished, the system checks parameters stored in the NVRAM to determine the next step. Depending on the following parameter settings, the system will:

- Boot the operating system from a specified location, if `auto-boot?` is set to `true`
- Suppress the boot sequence and enter the FORTH Monitor (`ok` prompt), if `auto-boot?` is set to `false`
- Continually cycle through the OpenBoot PROM sequence, if `mfg-switch?` is set to `true`

Note - If you are in the Sunmon compatibility mode (prompt is `>`) type `n` to return to the OBP monitor (prompt is `ok`).

Table 2-1 Table 2-1 contains a list of NVRAM parameters and explains their effect on the power-up sequence. For more detailed information about NVRAM parameters, see the OpenBoot Command Summary.

Note - At any point during the high-level OBP execution, you can abort the OBP sequence and access the FORTH Monitor by pressing the Stop and “a” keys simultaneously.

TABLE 2-1 NVRAM Parameters Used During POST and Boot Sequence

NVRAM Parameter	Description
selftest-#megsDefault = 1	This parameter determines how many megabytes of memory to test during high-level OBP testing if <code>diag-switch?</code> is concurrently set to <code>false</code> . The minimum is zero; the maximum is the amount actually installed in the system. The default is a 1-megabyte test.
diag-switch?Default = false	When set to <code>true</code> , this parameter forces the system to test automatically all available memory. It also enables diagnostic message output to serial port A. If a properly configured terminal or “tip window” is connected, diagnostic progress can be monitored through this port. When <code>auto-boot?</code> is set to <code>true</code> and <code>diag-switch?</code> is set to <code>false</code> , <code>diag-switch?</code> forces the system to boot from the device and file specified in <code>boot-dev</code> and <code>boot-file</code> .
auto-boot?Default = true	If <code>auto-boot?</code> is set to <code>true</code> and <code>diag-switch?</code> is set to <code>true</code> , the system boots the operating system from the device and file specified in the <code>diag-device</code> and <code>diag-file</code> NVRAM parameter fields. When set to <code>false</code> , this will suppress the boot sequence. The system halts with the <code>ok</code> prompt.

At the FORTH Monitor prompt, you can direct the system to boot the operating system from a location that you specify, or you can execute a variety of additional FORTH-based tests. See the OpenBoot Command Reference for a complete description of the FORTH Monitor.

If the `auto-boot?` parameter is set to `true` (the default), the system boots a standalone program. To determine which program and device to boot from, the system checks the `diag-switch?` NVRAM parameter. Table 2-2 summarizes the effect of the `auto-boot?` and `diag-switch?` parameters.

TABLE 2-2 Summary of Autoboot and Diagnostic Switch Parameter¹ Settings

auto-boot?	diag-switch?	Result
false	false or true	> or ok prompt
true	false	Boot operating system from device alias "disk" or "net" for SPARCstation 5 system
true	true	Boot operating system from device alias "net"

Once the operating system is running, you can invoke the SunDiagTM System Exerciser if further diagnostic testing is warranted. Refer to "SunDiag System Exerciser" on page 18," for additional information.

Another standalone diagnostic program you can run is the SunDiagnostic Executive. Refer to "SunDiagnostic Executive" on page 18," for further information.

To boot user-specified programs, such as the SunDiagnostic Executive, you must be at the > prompt or ok prompt. See Appendix D," for a detailed procedure on how to access the > or the ok prompt.

Diagnostic Tools and When to Use Them

Table 2-3 provides a summary of the available diagnostic tools and describes when to use each tool.

¹ 1. The boot parameters represented here are default settings. The defaults may be changed by following the procedures listed in the OpenBoot Command Summary.

TABLE 2-3 Diagnostic Tools

Diagnostic Tool	When or Why to Use the Tool
Power-On Self-Test (POST)	Executes automatically at power-on when Stop-d keys are pressed or when the <code>diag-switch?</code> parameter is set to <code>true</code> . The POST code resides in the boot PROM and is driven by the POK signal from the power supply. POST tells you if there is a problem with the system board, the NVRAM, or the DSIMMs. See "Power-On Self-Test (POST)" on page 19."
FORTH Diagnostics	Tests functions such as the Ethernet and SCSI interfaces, system memory, and the diskette drive controller. You must be at the <code>ok</code> prompt (the FORTH Monitor) to run the FORTH Diagnostics. The FORTH Diagnostics reside in the boot PROM.
FORTH Monitor	Allows input to the system at the boot PROM level. Supports functions such as changing NVRAM parameters, resetting the system, running diagnostic tests, displaying system information, and redirecting input and output. See the <i>OpenBoot Command Reference</i> for more information.
SunDiag System Exerciser	Runs under the operating system. It displays real-time use of the system resources and peripherals. The SunDiag System Exerciser tells you if your system is functioning correctly. If SunDiag fails, run the Power-On Self-Test. If all Power-On Self-Tests pass, then run the SunDiagnostic Executive to identify the problem. See the <i>SunDiag User's Guide</i> for more information.
SunDiagnostic Executive	Runs extensive, configurable subsystem tests that are independent of the operating system. Run the SunDiagnostic Executive if all tests pass when you run the POST. Running the SunDiagnostic Executive allows you to determine which customer replaceable unit needs to be replaced. See the latest version of <i>SunDiagnostic Executive User's Guide for the SPARCstations</i> for more information.

Power-On Self-Test

For information about the POST, see Chapter 3.

FORTH-Based PROM Diagnostics

For information about how to run the FORTH Diagnostics, see Appendix D." Table 2-4 Table 2-4 lists specific on-board diagnostic tests for SPARCstation 5 systems.

TABLE 2-4 Selected FORTH Diagnostic Tests

Type of Test	Description	Preparation	When to Use
<code>test screen</code>	Tests the system video graphics hardware and monitor.	The <code>diag-switch?</code> NVRAM parameter must be set to <code>true</code> .	See description.
<code>test floppy</code>	Tests the floppy drive response to commands.	Insert a formatted diskette into the drive.	See description.
<code>test scsi</code>	Tests the SCSI interface logic on the system board.	The <code>diag-switch?</code> NVRAM parameter must be set to <code>true</code> .	See description.
<code>test net-oui</code>	Performs an internal and an external loopback test on the AUI (Thick) Ethernet interface.	A cable must be connected to the system AUI Ethernet port and to an Ethernet tap or the test will fail the external loopback phase.	See description.
<code>test net-tpe</code>	Performs an internal and an external loopback test on the twisted-pair Ethernet (TPE) interface.	A cable must be connected to the system TPE port and to a TPE hub or the test will fail the external loopback phase. If the <code>tpe-link-test?</code> parameter is <code>false</code> (disabled), the external loopback test will appear to pass even if a cable is not connected.	See description.
<code>test net</code>	Performs an internal and an external loopback test on the auto-selected system Ethernet interface.	A cable must be attached to the system and to an Ethernet tap or hub or the external loopback test will fail.	See description.

TABLE 2-4 Selected FORTH Diagnostic Tests *(continued)*

Type of Test	Description	Preparation	When to Use
test disk test disk0 test disk1 test disk2 test disk3	Tests internal or external SCSI disks that have a self-diagnostic program contained in the drive controller (disk0 = SCSI address 0, disk1 = SCSI address 1, disk2 = SCSI address 2, disk and disk3 = SCSI address 3).	The drive must be spinning before this test is executed or the test will fail. Enter a boot <disk alias> command to cause the drive to spin up.	Disk drive does not function properly.
test cdrom	Performs a self-test diagnostic on the CD-ROM drive.	The CD-ROM must be set to SCSI target 6 and have a CD inserted in the drive or the test will fail.	See description.
test tape test tape0 test tape1	Tests the SCSI tape drive by executing the drive self-test program. tape and tape 0 are the first tape drive. tape 1 is the second tape drive.	Connect the tape drive to the system and then turn on the power.	See description.
test ttya test ttyb	Outputs an alphanumeric test pattern on the system serial ports (ttya = serial port A, ttyb = serial port B).	Attach a terminal to the serial port to observe the output.	Tests serial ports.
test keyboard	This test executes the keyboard self-test. The four LEDs on the keyboard should flash on once, and the message Keyboard Present is displayed.	Keyboard must be connected.	See description.
test-memory	Tests all of the system main memory if the diag-switch is true. If diag-switch is set to false, it tests the memory according to the number specified in selftest-#megs.	None.	See description.

TABLE 2-4 Selected FORTH Diagnostic Tests *(continued)*

Type of Test	Description	Preparation	When to Use
test-all	Tests all devices in the system (such as SBus cards) that have a built-in test program. Hard disks, tapes, and CD-ROMs are not tested.	Set the <code>diag-switch?</code> NVRAM parameter to <code>true</code> .	When a device driven by an SBus card is not functioning properly.
watch-clock	Displays seconds from the system's Time-of-Day chip.	None.	See description.
watch-net	Monitors broadcast Ethernet packets on the Ethernet cable(s) connected to the system.	Connect the system to the network via the desired Ethernet port.	See description.
watch-aur	Monitors broadcast Ethernet packets (10Base5—Thicknet) on the Ethernet cable(s) connected to the system.	Connect the system to the network via the desired Ethernet port.	See description.
watch-tpe	Monitors broadcast Ethernet packets (10BaseT—Twisted Pair Ethernet) on the Ethernet cable(s) connected to the system.	Connect the system to the network via the desired Ethernet port.	See description.
watch-net-all	Monitors broadcast Ethernet packets on all Ethernet interfaces installed in the system, one at a time.	Connect the system to the network via the desired Ethernet port.	When an SBus card network controller card is installed.

TABLE 2-4 Selected FORTH Diagnostic Tests *(continued)*

Type of Test	Description	Preparation	When to Use
probe- scsi	Returns the SCSI devices (internal and external) and their SCSI targets connected to the built-in SCSI port.	Connect external SCSI devices to the system and turn on their power.	<p>To determine if a SCSI peripheral is talking to the system.</p> <p>To determine the SCSI targets (addresses) of a SCSI device.</p> <p>To determine if more than one SCSI peripheral is assigned the same SCSI address.</p> <p>To determine if the built-in SCSI controller is defective.</p>
probe- scsi-all	Returns to the display the SCSI devices and their SCSI targets connected to all SCSI ports (both the built-in SCSI port and any additional SCSI host adapter cards).	Connect external SCSI devices to the system and turn on their power.	<p>See probe- scsi.</p> <p>To determine if a SCSI host adapter controller is defective.</p>
power-off	Powers off the system.	You must have a Sun Type-5 keyboard in order to use this command.	To power off the system with a Sun Type-5 keyboard.

FORTH Monitor

The FORTH Monitor is a basic diagnostic utility and system interface. If there is any problem with your operating system, the FORTH Monitor automatically starts, as indicated by the appearance of the `ok` prompt (the Monitor also starts if `auto-boot?` is set to `false`).

You can also choose to access the FORTH Monitor by halting the system. For information on how to access the FORTH Monitor, see Appendix D." For extensive information about tests you can run from the FORTH Monitor, see *OpenBoot Command Reference*.

SunDiag System Exerciser

Use the SunDiag System Exerciser to determine real-time use of system resources and peripheral equipment such as Desktop Storage Modules and External Storage Modules. The SunDiag System Exerciser verifies that the system is functioning properly. For information about how to use the SunDiag System Exerciser, see the *SunDiag User's Guide*.

If SunDiag passes, the system is operating properly. If SunDiag fails, the error messages should indicate the part of the system that has failed. If the error messages are not descriptive enough, you may need to run POST or the SunDiagnostic Executive.

SunDiagnostic Executive

The SunDiagnostic Executive is an independent operating system. It runs exhaustive subsystem tests that are independent of the normal operating system. Run the SunDiagnostic Executive if all POSTs pass, but your system still has a problem. For information about POST, see "Power-On Self-Test (POST)" on page 19." The SunDiagnostic Executive is described in the *SunDiagnostic Executive User's Guide for the SPARCstations*.

Power-On Self-Test (POST)

This chapter describes the Power-On Self-Test (POST) for Normal, Full, and Abbreviated modes, available with your SPARCstation 5 system.

The Power-On Self-Test (POST) diagnostics reside in the OpenBoot PROM located on the system board. There are two POST modes: Normal and Diagnostic.

Power-On Self-Test (POST)

The Power-On Self-Test (POST) runs when you turn on the system unit power switch and any of the following conditions apply:

- `diag-switch?` NVRAM parameter is set to `true`.
- Stop-d keys are held down when you turn on the power.
- Keyboard is disconnected, and `diag-switch?` is set to `false`.

The POST comprises a sequence of tests designed to evaluate the major hardware components of the main logic board in the short time before the OpenBoot PROM firmware takes control. The POST does not perform extensive testing on any component of the main logic board. Only major failures can be detected by the POST.

Four different LEDs on the keyboards are used to indicate the progress and results of the POST. These LEDs are on the Caps Lock, Compose, Scroll Lock, and Num Lock keys, as shown in Figure 3-1, Figure 3-2, and Figure 3-3. To indicate the beginning of the POSTs, the four LEDs briefly light all at once. The monitor screen remains blank, and the Caps Lock LED blinks for the duration of the POST.

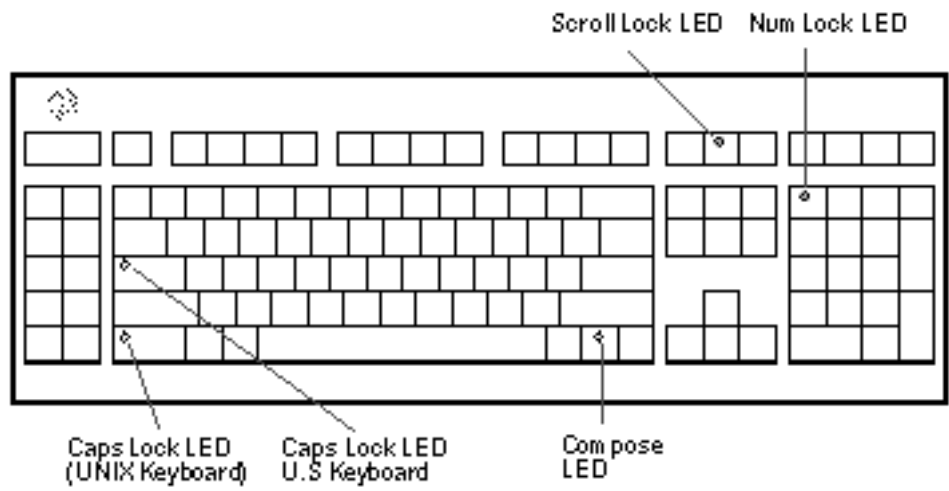


Figure 3-1 Arrangement of Sun Type-5 Keyboard Diagnostic LEDs

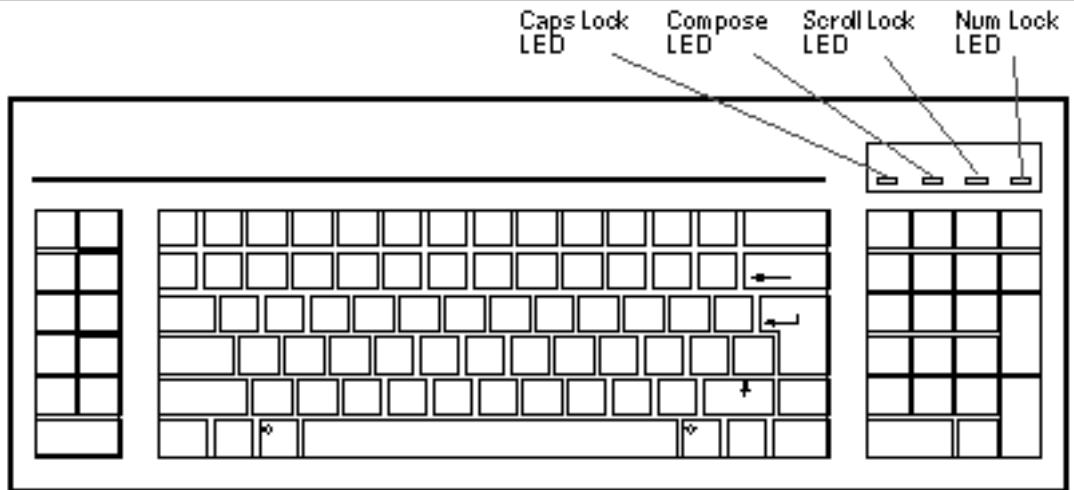


Figure 3-2 Sun Type-4 Keyboard

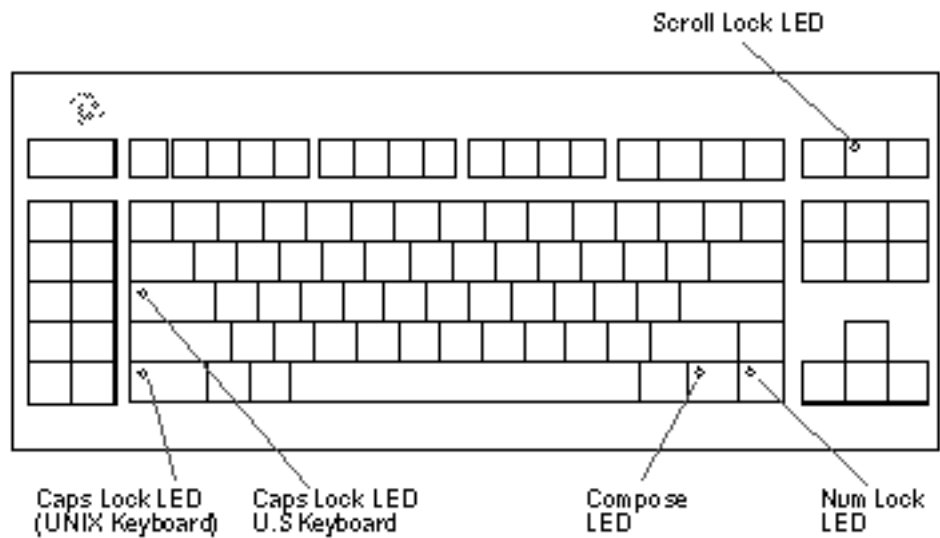


Figure 3-3 Sun Compact 1 Keyboard

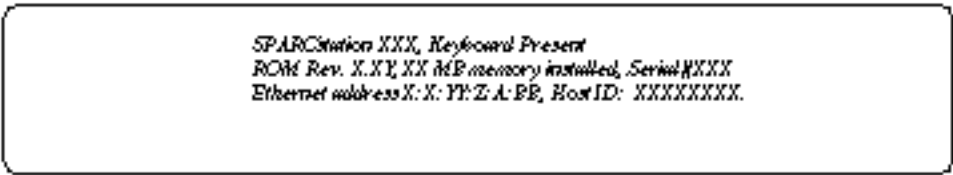
If the system fails any POST, one of the LEDs will light to indicate the nature of the problem. The LED may be lit continuously, or for just a few seconds. Table 3-1 provides the meaning of each diagnostic LED.

TABLE 3-1 Interpreting the Keyboard Diagnostic LEDs

Diagnostic LED	Failed Part
Num Lock LED is lit.	Main logic board
Scroll Lock LED is lit.	NVRAM
Compose LED is lit	DSIMMs (see "Determining Faulty DSIMM Locations" on page 33")

Note - The Caps Lock LED is *not* used as a failure indicator; it blinks on and off to indicate that the POSTs are running. The keyboard LED diagnostics feature described here applies only to a SPARCstation 5 system with a Sun Type-4, Type-5, or Compact 1 keyboard connected to its keyboard port. The LED diagnostics do not apply if a different Sun-supported keyboard is connected to the keyboard port, or if a terminal and its keyboard are used as a main console instead of a monitor and a Type-4, Type-5, or Compact 1 keyboard.

If the system passes all the POSTs, all four LEDs light again and then go off. Next, the OBP firmware performs its initialization sequence and the system banner appears on the screen. A generic SPARCstation banner is shown as an example. From this point on, the keyboard LEDs assume their normal functions (that is, you should no longer interpret the LEDs as diagnostic error indicators).



```
SPARCstation XXX, Keyboard Present  
ROM Rev. X.XY, XX MB memory installed, Serial#XXXX  
Ethernet address X:X:YY:Z:A:BB, Host ID: XXXXXXXX.
```

Figure 3-4 SPARCstation System Banner

Following the system's successful initialization, the operating system is booted automatically—unless the NVRAM configuration options specify otherwise.

You can retrieve more detailed POST failure information by connecting a terminal to the `ttya` serial port. If you connect a terminal, you must set the NVRAM parameter `diag-switch?` to `true`. For more information about the NVRAM parameters, see Table 2-1. Test failure messages are displayed on the system monitor or console, whether or not the system is in Diagnostic Mode. However, it may be easier to understand the failure message output when it is accompanied by more detailed POST progress messages available via the `ttya` serial port.

Normal Mode

Under Normal Mode, when the system is turned on, control is sent to the OpenBoot PROM. Depending on the options set in the OpenBoot PROM, for example if `auto-boot?` is enabled (set to `true`), the operating system will load. Diagnostic testing is *not* run.

Full Diagnostic Mode

Full Diagnostic Mode tests the major hardware system board components and, if the POST is successful, control is transferred to the OBP firmware that probes the installed SBus modules. Full Diagnostic Mode runs if *one* of these conditions is met:

- You press and hold the Stop-d keys while you turn on the power.
- You set the `diag-switch?` NVRAM parameter to `true` in the OpenBoot PROM.

- You disconnect the keyboard and you set the `diag-switch?` NVRAM parameter to `true` in the OpenBoot PROM.

Note - POST does not perform extensive testing on any system board component. POST detects only major failures.

To view error messages returned by POST, connect a terminal to serial port A or use a `tip` connection to another workstation.

If you do not connect a terminal to serial port A or use a `tip` connection, the screen will be blank during the POST diagnostics. In this case, use the keyboard LEDs to display error conditions. See “Status Lights (LEDs) and Indicators” on page 25.”

Abbreviated Diagnostic Mode

A silent Power-On Self-Test (POST) is run if you disconnect the keyboard and you set the `diag-switch?` NVRAM parameter to `false` in the OpenBoot PROM. This Power-On Self-Test is silent (no progressive test messages are printed out). If an error or errors occur during the abbreviated Power-On Self-Test, all error messages are displayed on the TTY or `tip` window.

Setting Up a `tip` Connection to Another System

You can use the serial port on your SPARCstation 5 system to connect to another Sun workstation (either the same type of SPARC[™] system or a different type of Sun workstation or server system). This connection lets you use a shell window on the Sun workstation as a terminal to the SPARCstation 5 being tested.

The `tip` method is recommended, because it lets you use SunOS[™] windowing and operating system features to help you work with the boot PROM.

To make a `tip` connection, follow these steps:

1. **Connect the system's serial port (`ttya`) to another Sun workstation `ttya` serial port using a serial connection cable. This connection is made with a 3-wire null modem cable. Connect wires 3-2, 2-3, and 7-7.**
2. **At the other Sun workstation, add the following lines to the file `/etc/remote`:**

```
hardware:\
:dv=/dev/ttya:br#9600:el=^C^S^Q^U^D:ie=%$:oe=^D:
```

- 3. In a Shell Tool window on the Sun workstation, type `tip hardware`. (Some commands will not work properly in a Command Tool window.)**

The system will reply connected.

```
hostname% tip hardware
connected
```

The Shell Tool window is now a `tip` window directed to the Sun workstation serial port.

- 4. When you are finished running POST and want to disconnect the `tip` window, either type `~`. (tilde period) in the `tip` window, or type `kill -9` and the process ID number of the `tip hardware` process.**

```
hostname% ~.
or
hostname% kill -9 PID# of tip hardware process
```

Tests the POST Runs

Following is a sample listing of the Full Diagnostic Mode tests completed by POST.

CODE EXAMPLE 3-1 POST Tests

```
MMU Context Table Reg Test
MMU Context Register Test
MMU TLB Replace Ctrl Reg Tst
MMU Sync Fault Stat Reg Test
MMU Sync Fault Addr Reg Test
MMU TLB RAM NTA Pattern Test
MMU TLB CAM NTA Pattern Test
MMU TLB LCAM NTA Pattern Test
IOMMU SBUS Config Regs Test
IOMMU Control Reg Test
IOMMU Base Address Reg Test
IOMMU TLB Flush Entry Test
IOMMU TLB Flush All Test
SBus Read Time-out Test
EBus Read Time-out Test
D-Cache RAM NTA Test
D-Cache TAG NTA Test
I-Cache RAM NTA Test
I-Cache TAG NTA Test
Memory Address Pattern Test
FPU Register File Test
FPU Misaligned Reg Pair Test
FPU Single-precision Tests
```

FPU Double-precision Tests
FPU SP Invalid CEXC Test
FPU SP Overflow CEXC Test
FPU SP Divide-by-0 CEXC Test
FPU SP Inexact CEXC Test
FPU SP Trap Priority > Test
FPU SP Trap Priority < Test
FPU DP Invalid CEXC Test
FPU DP Overflow CEXC Test
FPU DP Divide-by-0 CEXC Test
FPU DP Inexact CEXC Test
FPU DP Trap Priority > Test
FPU DP Trap Priority < Test
PROC0 Interrupt Regs Tests
Soft Interrupts OFF Test
Soft Interrupts ON Test
PROC0 User Timer Test
PROC0 Counter/Timer Test
DMA2 E_CSR Register Test
LANCE Address Port Tests
LANCE Data Port Tests
DMA2 D_CSR Register Test
DMA2 D_ADDR Register Test
DMA2 D_BCNT Register Test
DMA2 D_NADDR Register Test
ESP Registers Tests
DMA2 P_CSR Register Test
DMA2 P_ADDR Register Test
DMA2 P_BCNT Register Test
PPORT Registers Tests
NVRAM Access Test
TOD Registers Test

POST Error Messages

The POST error messages returned to the terminal are self-explanatory. For example, if no DSIMM is installed in the system, the POST will tell you that no DSIMM is installed and will indicate the slot number of the DSIMM slot. Use the error messages returned by POST to troubleshoot the system.

Status Lights (LEDs) and Indicators

The LED at the front of the chassis lights when the system is operating normally. Figure 3-5 shows the location of the system LED. Chapter 4, " shows flow diagrams of actions to take when the system LED is not lit.

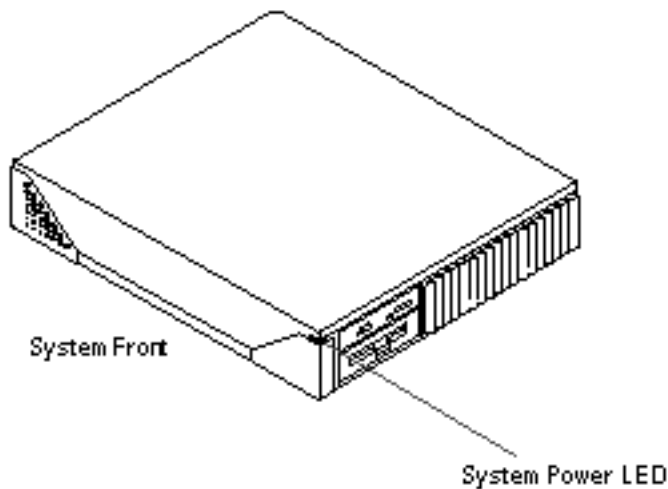


Figure 3-5 Location of System Power LED

“Power-On Self-Test (POST)” on page 19, describes the keyboard LED sequences displayed at power up when POST fails. If a failure occurs in POST, the keyboard displays a specific LED pattern. See Figure 3-1 through Figure 3-3 and Table 3-1. During normal system operation, the LEDs should not be interpreted as diagnostic error indicators.

Following the system initialization, the operating system boots automatically, unless the NVRAM configuration options specify not to do so.

Note - The Caps Lock key LED on some U.S. keyboards, located just above the left-hand Shift key, is not used as a POST failure indicator, but blinks on and off while POST is running.

If the Caps Lock key fails to flash on and off after you have pressed and held the Stop-d keys when you power on the system, POST failed. See “System Board Test” on page 31,” for troubleshooting information.

Troubleshooting Procedures

This chapter describes how to troubleshoot SPARCstation 5 system problems. Each problem is described, and a set of procedures is provided as a solution to the problem.

Table 4-1 describes commonly encountered problems, and tips for solving them.

TABLE 4-1 Troubleshooting Tips

Problem	Action
LED on front of system is not lit.	Verify that the power switch is turned on and that the power cord is connected. If both the power switch and the power cord are connected, shut down the system and verify that the LED cable is connected. If the LED cable is connected, the power supply may be defective. Replace the power supply. See Chapter 8.
Disk drive fails to boot or does not respond.	Shut down the system. The SCSI controller may be defective. See "Verifying the Built-In SCSI Controller" on page 32." Verify that each SCSI device is assigned a unique SCSI target address. See Appendix C," for important additional information.
Operating system does not recognize disk drive at boot up.	Shut down the system. Verify that each SCSI device is assigned a unique SCSI target address. See Appendix C," for important additional information.
No video output on monitor.	Verify that the power cord is connected. Use a volt-ohmmeter (VOM) to check voltages. See "No Video Output on the System Monitor" on page 28."

TABLE 4-1 Troubleshooting Tips (continued)

Problem	Action
Slow disk drive response.	If many SCSI devices are connected to the same SCSI bus and if some of these devices are "fast SCSI" devices, you can install an FSBE/S SBus card to the "fast SCSI" devices to speed up performance.
Read, write, or parity error reported by the operating system or applications.	Replace the disk drive indicated by the failure message. Solaris 1.x operating systems identify the disk drive installed in the lower bay (SCSI target ID 3) as <code>sd0</code> and the disk drive installed in the upper bay (SCSI target ID 1) as <code>sd1</code> . With Solaris 2.x operating systems, the two drives are identified as <code>c0t3d0</code> and <code>c0t1d0</code> , respectively.
Power on does not succeed. LEDs on keyboard do not light and there is no tone from the keyboard when you turn on the system power.	The power supply may be defective. See "Power Supply Test" on page 29.
Power on does not succeed. The system fails to initialize but the LEDs on the keyboard light and there is a tone from the keyboard.	The system board may be defective. See "System Board Test" on page 31.

No Video Output on the System Monitor

1. **Check that the power cord is connected to the monitor and to the wall outlet.**
2. **Verify that the wall outlet is supplying AC power to the monitor.**
Use a volt-ohmmeter (VOM).
3. **Verify that the video cable connection is secure between the monitor and the system video output port.**
Use a VOM to perform the continuity test on the video cable.
If the power cord and video cable connection are good and there is still no video output, reseal the video card for the monitor.
4. **If the monitor power supply is internally fused, check the fuse.**
The fuse could be blown.

Power-On Does Not Succeed

1. Turn off the system power switch.
2. Check that the system power cord is properly connected to the system rear panel power receptacle and to the wall outlet.
3. Verify with a VOM that the wall outlet is supplying AC power to the system.
4. Turn the rear panel system power switch on and observe the keyboard.

The LEDs on the keyboard should briefly light. You should hear a tone from the keyboard. If you have a Sun Type-5 keyboard, there is a Standby power key which you may also press to see if the system can be powered on or not. Only try the Standby power key if the rear switch fails to turn on the system.

If you hear no tone or see no lights on the keyboard, the system's power supply may be defective. See "Power Supply Test" on page 29.

If you hear a tone and see lights on the keyboard, but the system still fails to initialize, see "System Board Test" on page 31."

Power Supply Test

1. Use a VOM (volt-ohmmeter) to check the power supply output voltages.
Place the VOM negative probe on one of the logic ground pins in the connector, and test the +12V, -12V, and +5V power pins individually with the positive probe (pins 1 through 8). See Figure 4-1 and Table 4-2.

Note - The power supply must remain connected to the system board during this test. This allows the power supply to regulate the voltages.

2. Replace the power supply assembly if any of the voltages are not present.
See "Power Supply" on page 53.

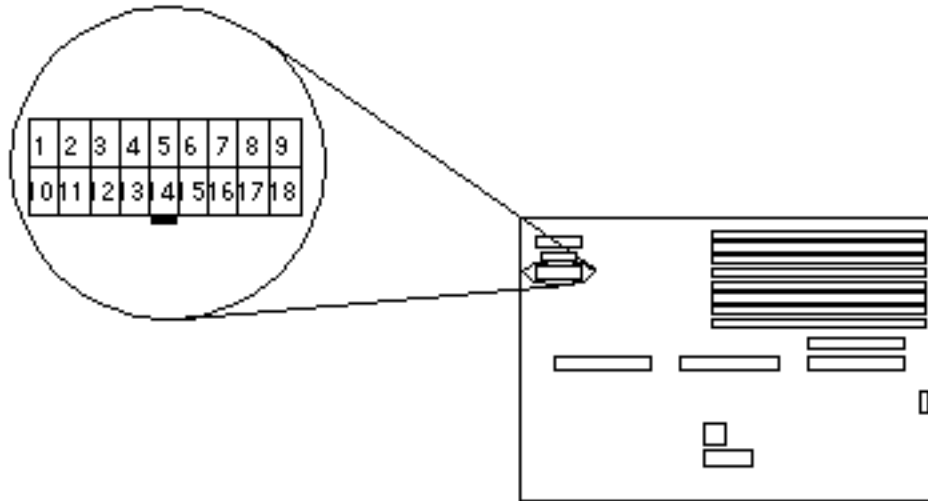


Figure 4-1 Power Supply Connector

Table 4-2 shows the pin assignments on the power supply connector.

TABLE 4-2 Power Supply Connector Pin Assignments

Color	Description ¹	Pin	Color	Description
Blue	+12V	10	Black	Ground
Brown	-12V	11	Black	Ground
Red	+5V	12	Black	Ground
Red	+5V	13	Black	Ground
Red	+5V	14	Black	Ground
Red	+5V	15	Black	Ground
Red	+5V	16	Green	AC Outlet

TABLE 4-2 Power Supply Connector Pin Assignments (continued)

Color	Description ¹	Pin	Color	Description
Red	+5V	17	Purple	Fan
Grey	Power off	18	Yellow	Power on

1. All volts are direct current.

System Board Test

1. **Connect a terminal to serial port A or use a tip connection to another workstation to receive additional POST failure information.**

To set up a tip connection to another workstation, see “Setting Up a tip Connection to Another System” on page 23.”

2. **Press and hold the Stop-d keys. While holding the keys down, turn the system power switch on. Watch the keyboard LEDs.**
 - a. **The Caps Lock key on the keyboard should flash on and off, indicating that the system is running the Power-On Self-Test (POST).**
If the Caps Lock key fails to flash on and off after you have pressed and held the Stop-d keys, POST failed.
 - b. **To further troubleshoot the system board, see “Caps Lock Key Fails to Flash On and Off During POST” on page 31.”**

3. **Observe the keyboard LEDs.**

If a failure occurs during POST, an LED may light up. See Table 3-1 to interpret the keyboard diagnostic LEDs.

4. **Replace the defective part indicated.**

Caps Lock Key Fails to Flash On and Off During POST

1. **Remove optional SBus cards and DSIMMs.**

Leave one DSIMM in Slot 0 (J0300).

2. **Run POST again before replacing the system board.**

Remove all other parts to eliminate the possibility that those parts could be causing the POST failure.

Disk Drive Errors

Table 4-3 presents disk drive error conditions and corrective actions.

TABLE 4-3 Troubleshooting Disk Drive Errors

Symptom	Corrective Action
Read, write, or parity error reported by the operating system or applications.	Replace the disk drive indicated by the failure message. Solaris 1.x operating systems identify the disk drive installed in the lower bay (SCSI target ID 3) as <code>sd0</code> and the disk drive installed in the upper bay (SCSI target ID 1) as <code>sd1</code> . With Solaris 2.x operating systems, the two drives are identified as <code>c0t3d0</code> and <code>c0t1d0</code> , respectively.
Drive fails to boot or does not respond to commands.	SCSI controller may be defective. See “Verifying the Built-In SCSI Controller” on page 32.” Verify that each SCSI device is assigned a unique SCSI target address. See Appendix C, for important additional information.
Slow disk drive response.	If many SCSI devices are connected to the same SCSI bus and if some of these devices, such as the 1.05-Gbyte disk drive, are “fast SCSI” devices, you may want to install an FSBE/S SCSI host adapter card to the “fast SCSI” devices and put these “fast SCSI” devices on a separate SCSI bus to speed up disk drive response.

Verifying the Built-In SCSI Controller

To check whether the built-in SCSI controller is defective, test the drive response to the `probe-scsi` command. To test additional SCSI host adapters added to the system, use the `probe-scsi-all` command. Refer to “module-info” on page 154.”

1. At the `ok` prompt, type `probe-scsi`

See the following example.

```
ok probe-scsi
Target 1
  Unit 0 Disk CONNER CP30548 SUN0535AEBX93081QTT
Target 3
  Unit 0 Disk SEAGATE ST3610N SUN0535881200054301
```

- a. **If the disk drive responds and a message is displayed, the system SCSI controller has successfully probed the devices.**
This indicates that the system board is working correctly.
- b. **If a disk doesn't respond:**
- c. **Make sure that every SCSI disk and other SCSI device on the SCSI bus has a different SCSI target ID (see Appendix C).**

Note - Internal SCSI hard drives are automatically assigned target 3 (lower bay) and target 1 (upper bay).

- d. **Verify that all SCSI cables and the SCSI terminator are connected securely.**
- e. **Check the SCSI cables to make sure there are no bent pins.**
- f. **If you still have not found the problem, replace the unresponsive drive.**
- g. **If the problem still occurs after replacing the drive, replace the system board.**
- h. **If the problem persists, replace the internal disk drive cable assembly.**

Determining Faulty DSIMM Locations

The SunDiag System Exerciser, SunDiagnostic Executive, and POST diagnostics can report memory errors encountered during program execution. For general information about diagnostics, see Chapter 2, "Troubleshooting Overview. Memory error messages on the video monitor usually indicate a physical memory address where the error was detected.

Depending on the diagnostic program you are running, a DSIMM location number ("J" number) or a memory address may be displayed.

If the error message displays the location number, see Figure 4-2 for DSIMM location numbers. If the error message displays a physical memory address, consult Table 4-4 to see which memory slot contains the physical address.

For example, if an error is detected at physical memory address 12fe958, examining Table 4-4 shows that the error occurred in the DSIMM in slot 0.

After you have identified the defective DSIMM, follow the instructions in “Removing a DSIMM” on page 113, for removing the defective DSIMM. To replace the DSIMM, follow the directions in “Replacing a DSIMM” on page 115.

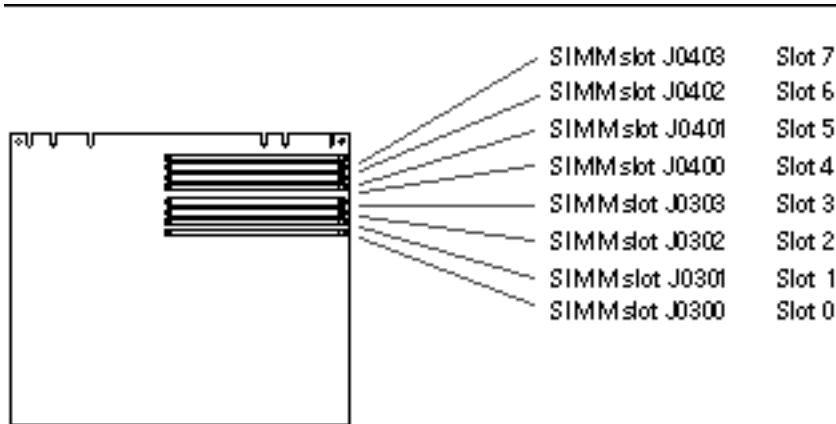


Figure 4-2 DSIMM Slot Locations

TABLE 4-4 Physical Memory Address Ranges for Slots¹ 0 Through 7

Slot	SIMM #	Physical Memory Address Ranges
0	J0300	0000 0000 through 01FF FFFF
1	J0301	0200 0000 through 03FF FFFF
2	J0302	0400 0000 through 05FF FFFF
3	J0303	0600 0000 through 07FF FFFF
4	J0400	0800 0000 through 09FF FFFF
5	J0401	0A00 0000 through 0BFF FFFF

¹ 1. Each memory slot can contain one DSIMM up to 32 megabytes in size. Slot 0 must have a DSIMM present.

TABLE 4-4 Physical Memory Address Ranges for Slots 0 Through 7 *(continued)*

Slot	SIMM #	Physical Memory Address Ranges
6	J0402	0C00 0000 through 0DFF FFFF
7	J0403	0E00 0000 through 0FFF FFFF

Safety and Tools Requirements

This chapter describes standards, safety procedures, and precautions you should follow whenever you need to replace or remove assemblies or subassemblies from your system.

Safety Requirements

For your protection, observe the following safety requirements:

- Follow all cautions, warnings, and instructions marked on the equipment.
- Ensure that the voltage and frequency rating of the power outlet matches the electrical rating labels on the system.
- Use properly grounded power outlets.

To protect both yourself and the equipment, observe the safety precautions listed in Table 5-1.

TABLE 5-1 Safety Precautions

Item	Problem	Precaution
AC power cord	Electric shock	Unplug the AC cord from the AC wall socket before working on the power supply.
	Grounding	Leave the AC power cord plugged into the AC wall outlet when replacing drives, DSIMMs, chips, or the system board. Leaving the AC power cord plugged into the wall outlet provides a grounding path for the wrist strap, which must be attached.
Wrist strap	Electrostatic Discharge (ESD)	Wear a wrist strap when handling printed circuit boards, drives, or other components such as DSIMMs.
ESD mat	ESD	An approved antistatic mat provides protection from static damage when used with a wrist strap. The mat also cushions and protects small parts that are attached to printed circuit boards. Chapter 12," lists the part number of the mat.
Printed circuit boards	ESD	Handle a printed circuit board by the edges only. Store a board in an antistatic bag.
Cover	System damage and overheating	Replace the cover after performing service on the system.
SBus slot filler panels	System damage and overheating	Install filler panels in all unused SBus openings. Openings on the back of the system board reduce the cooling capability of the system.
microSPARC chip heat sink	Heat, burns	Do not touch the metal heat sink on the microSPARC chip. The heat sink can be hot enough to cause personal injury.

Symbols

The following symbols mean:



Caution - This equipment contains lethal voltages. Accidental contact can result in serious injury or death.



Caution - Physical danger due to a non-electrical hazard or danger of irreversible damage to data or to the operating system.



Caution - Improper handling by unqualified personnel can cause serious damage to this equipment. Unqualified personnel who tamper with this equipment may be held liable for any resulting damage to the equipment.



Caution - Hot surface. Avoid contact. Surfaces are hot and may cause personal injury if touched.

AC A terminal (power outlet) to which alternating current or voltage may be applied.



ON The power switch is in the ON position.



STANDBY The power switch is in the STANDBY position.

System Precautions

Individuals who service this equipment must observe all safety precautions and ensure compliance with skill level requirements, certification, and all applicable local and national laws.

Procedures contained in this document must be performed by trained maintenance providers. Only people who have been trained at the Sun Microsystems® training facilities (or at Sun Microsystems affiliates) and have been certified as required by local and national laws are considered qualified.



Caution - Before you begin, carefully read each of the procedures in this manual. If you have not performed similar operations on comparable equipment, *do not attempt* to perform these procedures.

Tools Required

To remove and replace customer replaceable units (CRUs), you will need the following tools and materials:

- Small Phillips-head screwdriver
- Small flat-blade screwdriver
- Wrist strap
- Antistatic surface
- Volt-ohmmeter (VOM) for checking voltages and continuity
- Needlenose pliers
- Conductive foam to store chips
- Container for screws

Electrostatic Discharge (ESD) Precautions



Caution - The system chassis power must be turned off, and the AC power cord must remain plugged in to ensure a proper ground.

To minimize electrostatic discharge, observe the following precautions:

- Hold the system board, SBus cards, DSIMMs, or system components only by the edges.
- When removing a board, card, or module from an antistatic bag, lay it on an antistatic surface such as a Sun ESD mat, an antistatic bag, or a disposable antistatic mat.
- Do not place the boards, cards, or modules on an unprotected surface. Use a cushioned antistatic mat or antistatic bag. Connectors and components have very thin pins that bend easily.

- Do not use an oscilloscope or VOM (volt-ohmmeter) probe on the components. The soldered pins are easily damaged or shorted by the probe point.
- Transport boards, cards, or modules in an antistatic bag.
- Always wear an antistatic wrist strap connected to a metal surface on the chassis when working on system components and parts.

Power On and Off

This chapter explains steps to perform before removing a customer replaceable unit (CRU).

Powering Off the System

Before you begin any removal or replacement procedure, you must halt the system in an orderly manner. The procedure to use depends on whether your system is working normally or not, as described in the next sections.



Caution - When the operating system or any other standalone program has already booted, do not use the Stop-a keys to halt the system. Using the Stop-a keys to abort program execution can damage data files.

When the System Is Working Normally

To halt your system when it is working normally:

1. Save all your work.

Consult your software documentation for instructions on ending a work session and saving your files. If you do not save your work, you could lose it when you switch off the power.

2. Return to the operating system environment.

If you are in a windowing environment, exit from it and wait for the system prompt to appear. See the documentation supplied with your windowing system.

3. Halt the operating system.

See the documentation supplied with your operating system for instructions on how to halt it.

a. For Solaris[®] 2.x (SunOS 5.x) systems, type:

```
% su
Password: superuser password
# /usr/sbin/shutdown -y -g60 -i0
```

b. For Solaris 1.x (SunOS 4.x) systems, type:

```
% su
Password: superuser password
# /usr/etc/shutdown -h +1
```

The operating system warns other users of your system of the impending shutdown, and then halts itself after a one-minute delay. If you wish to provide a longer delay, see the man page for `shutdown(1)`.

The system responds with system halt messages followed by an `ok` prompt. When the `ok` prompt appears, you can safely turn off the power in the proper sequence.

4. When the `ok` prompt appears, turn off the power to the system components in this order:

1. External drive units (if you have any)
2. System unit
3. Monitor

When the System Does Not Respond Normally

To halt a system that is hung, or frozen, and unresponsive to commands:

1. If your system is on a network, wait a few minutes before proceeding.

Your system's slow response may be due to network problems or delays. Check with the person in charge of your network. If the response is not due to the network, go to the next step.

2. Press Stop-a (or Break).

If you use a Wyse[®] WY-50[™], VT-100[™], or compatible terminal as the console with your SPARCstation 5 system unit, press Break instead of Stop-a.

Note - If the system does not respond to the mouse and keyboard, pressing Stop-a will not be effective. You may have to turn the power off, wait at least 10 seconds, and turn the power on again. Then try pressing Stop-a once more.

3. When the `ok` prompt appears, boot the operating system.

Enter `boot` at the `ok` prompt.

4. When you see the `login` prompt, log in to the system with your user name and password.

5. Halt the operating system.

See the documentation supplied with your operating system for instructions on how to halt it.

a. For Solaris 2.x (SunOS 5.x) systems, type:

```
% su
Password: superuser password
# /usr/sbin/shutdown -y -g60 -i0
```

b. For Solaris 1.x (SunOS 4.x) systems, type:

```
% su
Password: superuser password
# /usr/etc/shutdown -h +1
```

The operating system warns other users of your system of the impending shutdown, and then halts itself after a one-minute delay. If you wish to provide a longer delay, see the man page for `shutdown(1)`.

The system responds with system halt messages followed by an `ok` prompt. When the `ok` prompt appears, you can safely turn off the power in the proper sequence.

c. When the `ok` prompt appears, turn off the power to the system components in this order:

1. External drive units (if you have any)
2. System unit
3. Monitor

Powering On the System



Caution - Before turning on power to your system, be sure to close the system unit. It is not safe to operate your SPARCstation while the system unit is open.



Caution - These devices are equipped with a three-wire grounded power cord. To reduce the risk of electrical shock, always plug the power cord into a properly grounded power outlet.



Caution - Always allow 10 seconds between turning off the power and turning it back on again. This pause prevents possible damage to power supply components in your system unit.

To turn on power to the SPARCstation 5 system:

1. **If your system uses external drive units, turn on the power to these units first, starting with the unit that is furthest electrically from the system unit.**
2. **Turn on the power to the monitor.**
3. **Turn on the power to the system unit.**

Internal Access

This chapter describes how to access the subassemblies inside the system unit, and how to close the system unit after you have finished.

Removing the Cover



Caution - The AC power cord should remain attached between the system unit and an AC wall outlet. This connection provides the ground path necessary to protect internal system components from harmful static discharges. Inside the system unit, be sure the power supply wiring harness is connected to the main logic board to complete the ground.



Caution - The surface of the microSPARC[™] II chip may be hot and could cause personal injury if touched. Avoid contacting this component.



Caution - Before opening the system unit, make sure the system power is in the Standby mode. The LED on the front of the system unit should not be lit, and the fans should not be running.



Caution - When the system power switch is in the Standby position, and the AC power cord remains connected to a power outlet, hazardous AC voltage is still present in the power supply primary. Do not attempt to service the power supply under these conditions. Disconnect the AC power cord prior to handling the power supply. When servicing any other system component, the AC power cord should remain connected; it poses no safety hazard.

1. Press the Standby side of the system power switch.
2. Loosen the captive Phillips-head screw in the upper-right corner of the rear panel (see Figure 7-1).
3. Unscrew the Phillips-head screw that secures the lock block to the cover. Remove the lock block and put it aside (see Figure 7-1).

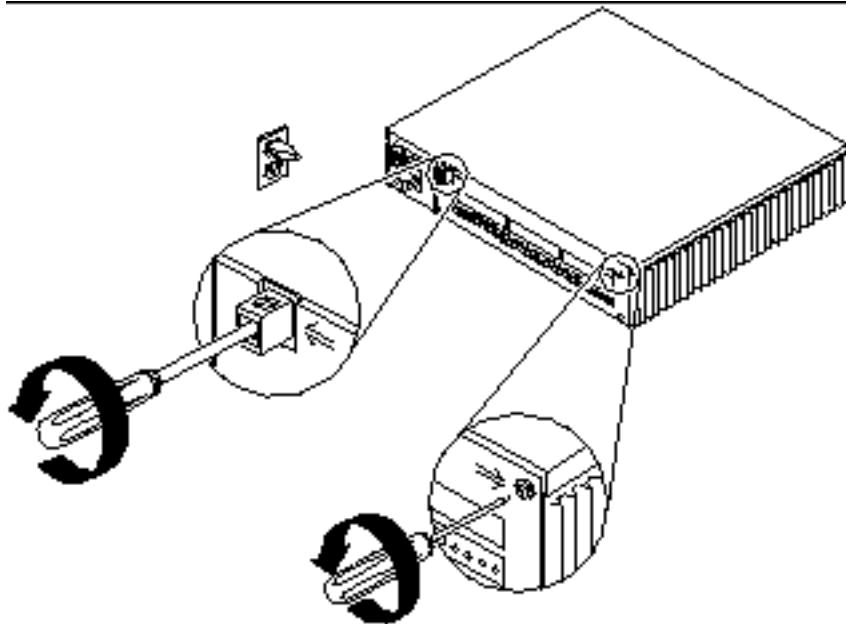


Figure 7-1 Removing the Rear Panel Cover Screws

4. Lift the cover free of the chassis as shown in Figure 7-2.

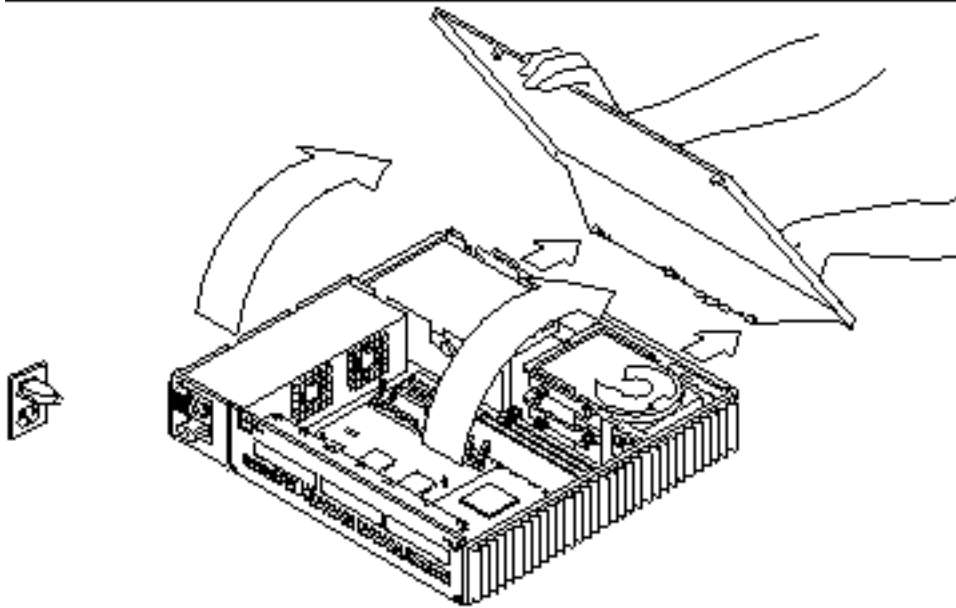


Figure 7-2 Removing the Cover

5. **Attach a wrist strap to your wrist and to the metal casing of the power supply.**
See “Attaching the Wrist Strap” on page 49.



Caution - When you are finished servicing parts inside the system unit, be sure to close the system unit before turning on the power. It is not safe to operate the system unit while it is open.

Attaching the Wrist Strap

1. **Unwrap the first two folds of the wrist strap and wrap the adhesive side securely around your wrist.**

See Figure 7-3.

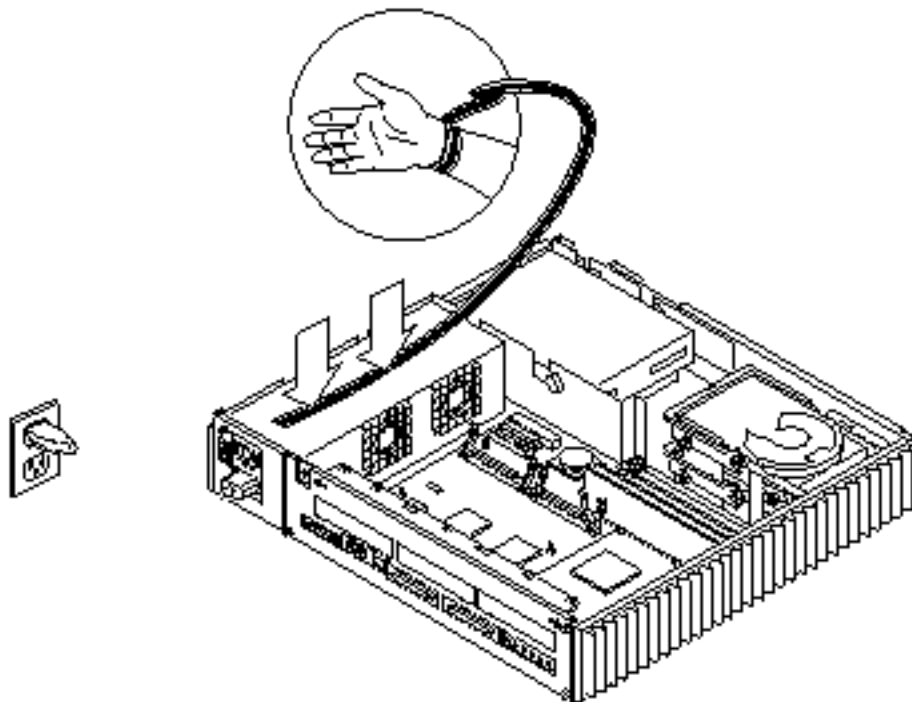


Figure 7-3 Grounding the Wrist Strap to the Power Supply

2. **Peel the liner from the copper foil at the opposite end of the wrist strap and attach that end to the top of the power supply.**

Make sure that the strap makes good contact with the metal casing of the power supply; avoid the labels on top of the supply. See Figure 7-3.

Replacing the Cover

1. **Remove the wrist strap from your wrist and then from the power supply.**
2. **Align the cover hinge tabs with the tab slots on the bottom front of the system chassis. Carefully lower the cover, making sure the hinge hooks remain inside their respective slots.**

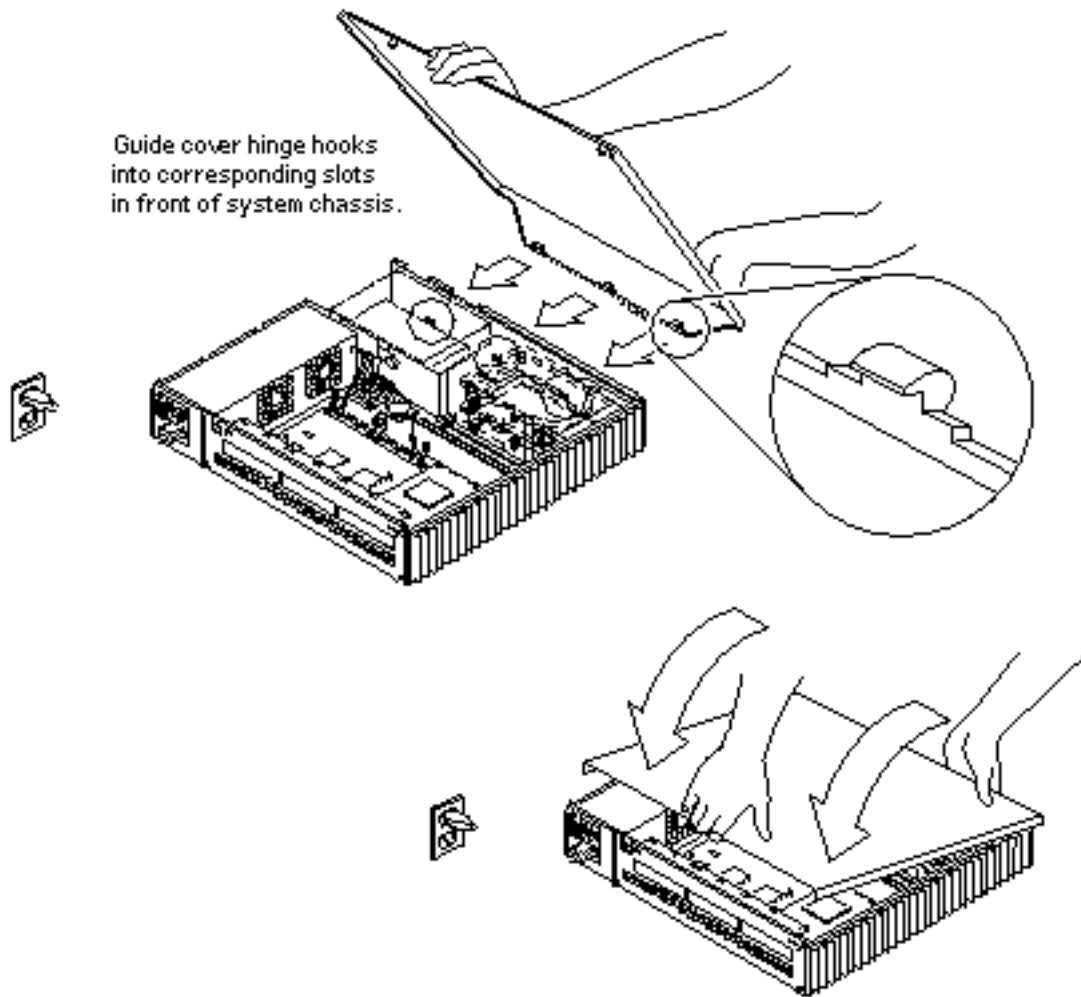


Figure 7-4 Replacing the Cover

3. **Replace the lock block on the rear panel. Tighten the Phillips-head screw that secures the lock block to the cover.**
See Figure 7-5.
4. **Tighten the captive Phillips-head screw in the upper-right corner of the rear panel.**

See Figure 7-5.



Caution - Do not use a power driver to tighten captive screws. Do not overtighten captive screws.

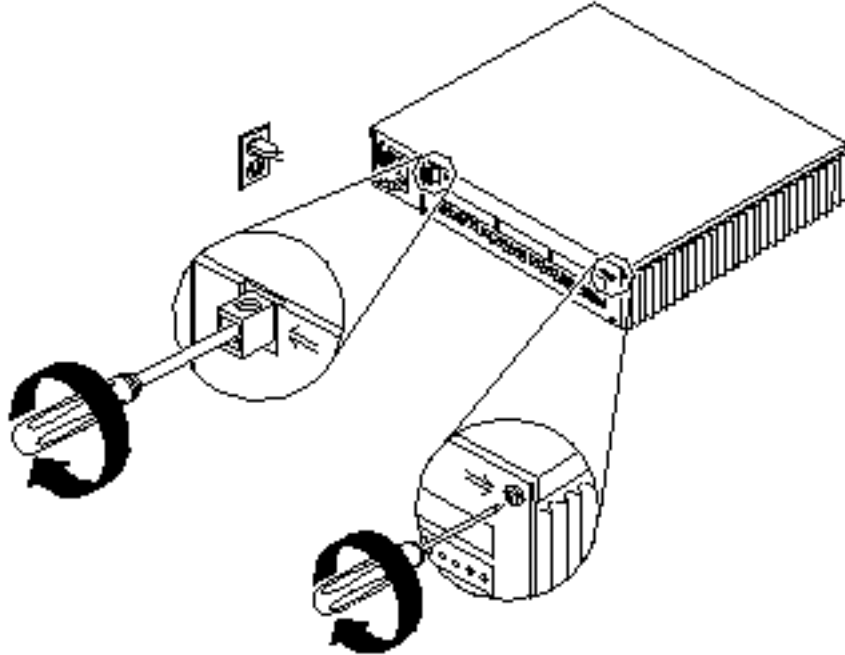


Figure 7-5 Securing the System Unit Cover

Major Subassemblies

This chapter describes how to remove and replace the system unit's major subassemblies.

Power Supply



Caution - When the system power switch is in the Standby position, and the AC power cord remains connected to a power outlet, hazardous AC voltage is still present in the power supply primary. Do not attempt to service the power supply under these conditions. Disconnect the AC power cord prior to handling the power supply. When servicing any other system component, the AC power cord should remain connected; it poses no safety hazard.

Removing the Power Supply



Caution - To avoid damage to the system board or components, press the Standby side of the AC power switch before disconnecting the external power cord from the rear panel. The SPARCstation 5 power supply “remembers” the state it was in when the power cord was detached, and it will automatically return to that state when the power cord is reconnected.

1. **Shut down and power off the system.**

See “Powering Off the System” on page 43.

- 2. Disconnect the external power cord from the rear panel of the system unit and from the wall outlet.**

- 3. Remove the cover.**

See “Removing the Cover” on page 47.

- 4. Attach a wrist strap and secure it to the upper flat edge of the rear panel.**

See Figure 8-1 .

Note - The wrist strap is usually grounded to the power supply. When removing or replacing the power supply, attach the wrist strap to the upper flat edge of the rear panel to ground the system.

- 5. On the rear panel, loosen the captive screw(s) securing the power supply to the chassis.**

Some models have two captive screws, others have one. See Figure 8-1.

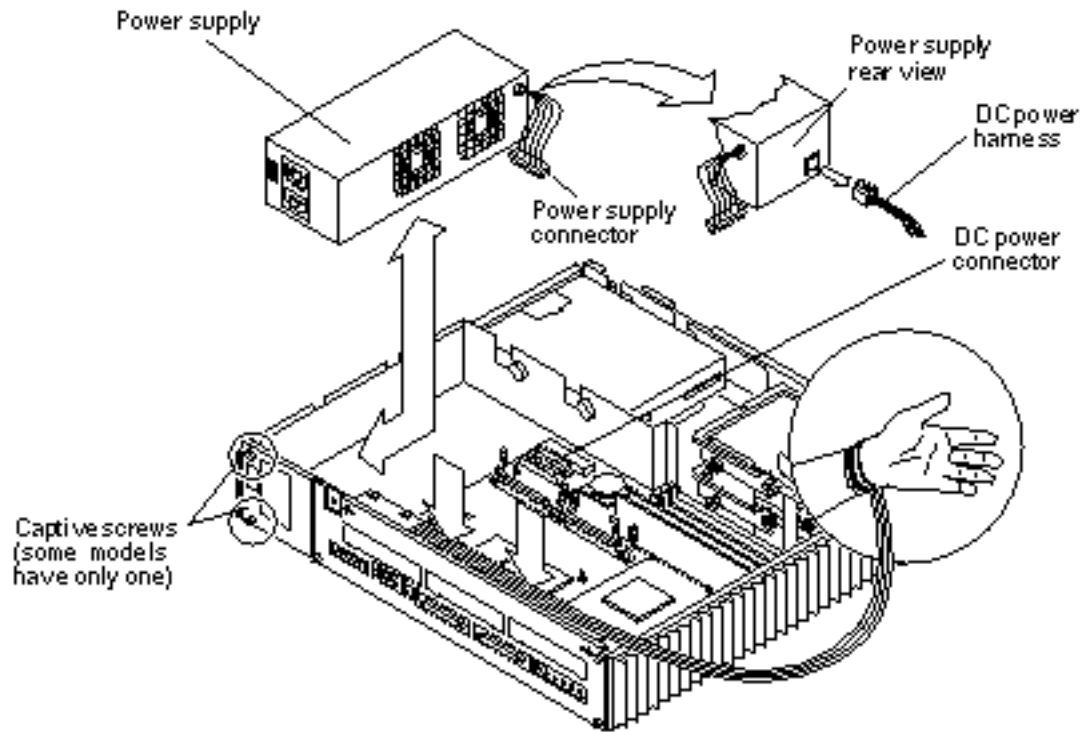


Figure 8-1 Removing the Power Supply

6. **Disconnect the power supply connector from the system board.**
See Figure 8-1.
7. **Slide the power supply toward the chassis front to free it from the chassis mounts.**
See Figure 8-1.
8. **Lift the power supply out of the chassis and disconnect the DC power harness from the keyed connector on the rear of the power supply.**
See Figure 8-2.

Replacing the Power Supply

1. **Attach a wrist strap and secure it to the rear panel.**
See Figure 8-1.

Note - The wrist strap is usually grounded to the power supply. However, when removing or replacing the power supply, attach the wrist strap to the upper flat edge of the backpanel to ground the system.

2. **Hold the power supply in one hand. Connect the DC power harness to the rear of the power supply.**

See Figure 8-2.

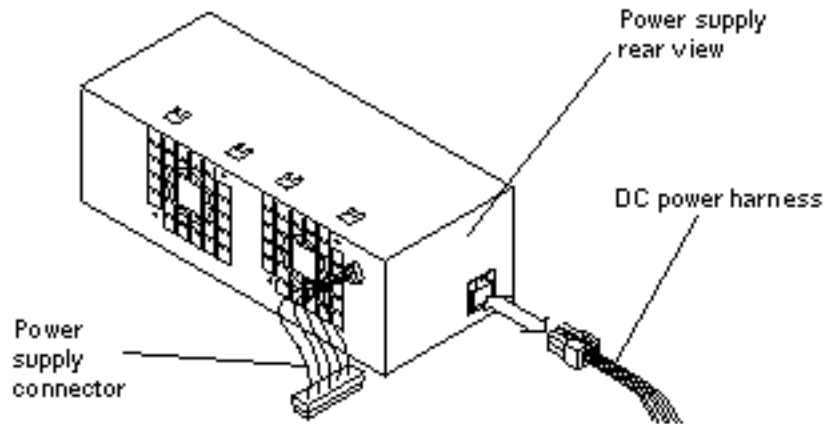


Figure 8-2 Connecting the DC Power Harness to the Power Supply

3. **Lower the power supply into the chassis at an angle, so that the DC power connector fits under the peripheral bracket.**
4. **Slide the power supply toward the rear of the chassis until it locks in the power supply mounts.**
5. **Tighten the captive screw(s) to secure the power supply to the rear of the chassis.**

See Figure 8-1.



Caution - Do not use a power driver to tighten a captive screw. Do not overtighten a captive screw.

- 6. Plug the power supply connector into the system board.**
See Figure 8-1.
- 7. Remove the wrist strap from your wrist and then from the power supply.**
- 8. Replace the cover.**
See “Replacing the Cover” on page 50.
- 9. Plug in the power cord to the system unit and the wall outlet.**
- 10. Power on the system.**
See “Powering On the System” on page 46.

Power LED

The system power LED is located at one end of the speaker/LED cable. An in-line connector in the cable facilitates removal of the LED without having to remove the entire speaker/LED cable.

Removing the Power LED

- 1. Shut down and power off the system.**
See “Powering Off the System” on page 43.
- 2. Remove the cover and attach a wrist strap.**
See Chapter 7.
- 3. Remove the CD-ROM drive (if present).**
See “Removing the CD-ROM Drive” on page 71.
- 4. Disconnect the in-line connector in the speaker/LED cable.**
See Figure 8-3.

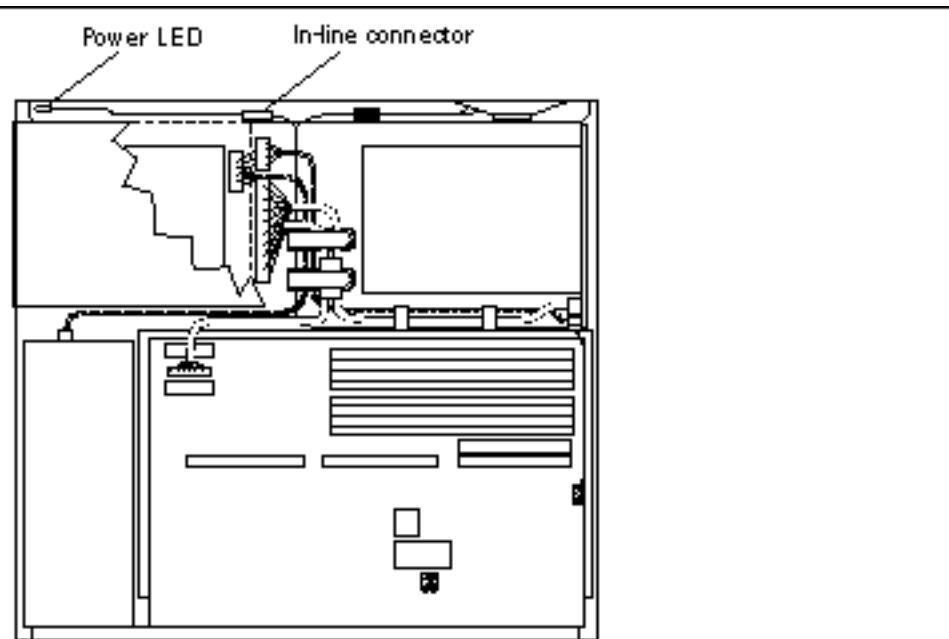


Figure 8-3 Power LED and In-line Connector

5. The LED is at the shrink-wrapped end of the speaker/LED cable. Using the tip of a small, flat-blade screwdriver, work the cable and LED free from the plastic tabs that hold them in place.

See Figure 8-4.

6. Remove the LED and attached cable segment from the system chassis.

Replacing the Power LED

1. Position the replacement LED/cable assembly so that the LED contacts the LED light pipe. Then press the cable between the LED tabs to secure it in place.

See Figure 8-4.

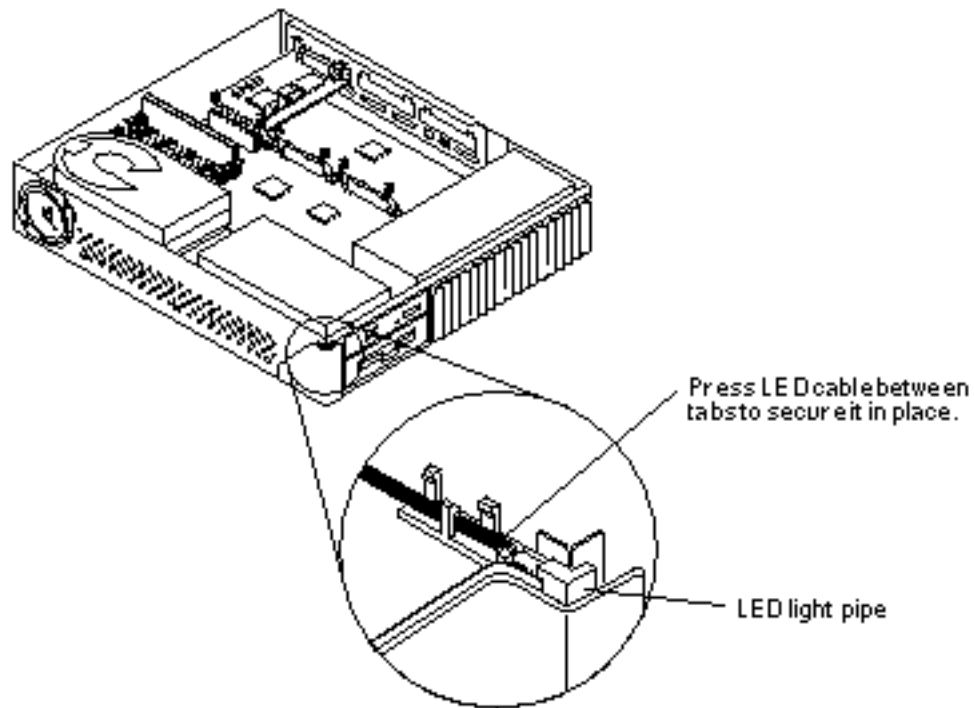


Figure 8-4 Positioning the LED Cable

- 2. Route the cable behind the diskette drive bracket and connect it to the in-line connector of the speaker/LED cable.**
See Figure 8-4.
- 3. Reinstall the CD-ROM drive (if necessary).**
See “Replacing the CD-ROM Drive” on page 72.
- 4. Detach the wrist strap and replace the cover.**
See Chapter 7.
- 5. Power on the system.**
See “Powering On the System” on page 46.

Internal Speaker

Removing the Internal Speaker

The speaker cover is held in place by three tabs; two tabs are at the base of the cover and one tab is near the top of the cover (see Figure 8-5).

- 1. Shut down and power off the system.**
See “Powering Off the System” on page 43.
- 2. Remove the cover and attach a wrist strap.**
See Chapter 7.
- 3. Locate the two rectangular slots on the underside of the chassis, directly beneath the speaker cover.**
See Figure 8-5.
- 4. Insert the tip of a small, flat-blade screwdriver into the slot that is furthest from the corner of the chassis.**
See Figure 8-5.
- 5. Use the screwdriver to push on the tab inside the slot. At the same time, pull slightly on the speaker cover to disengage the tab from the chassis.**
- 6. Repeat 5 for the second slot.**

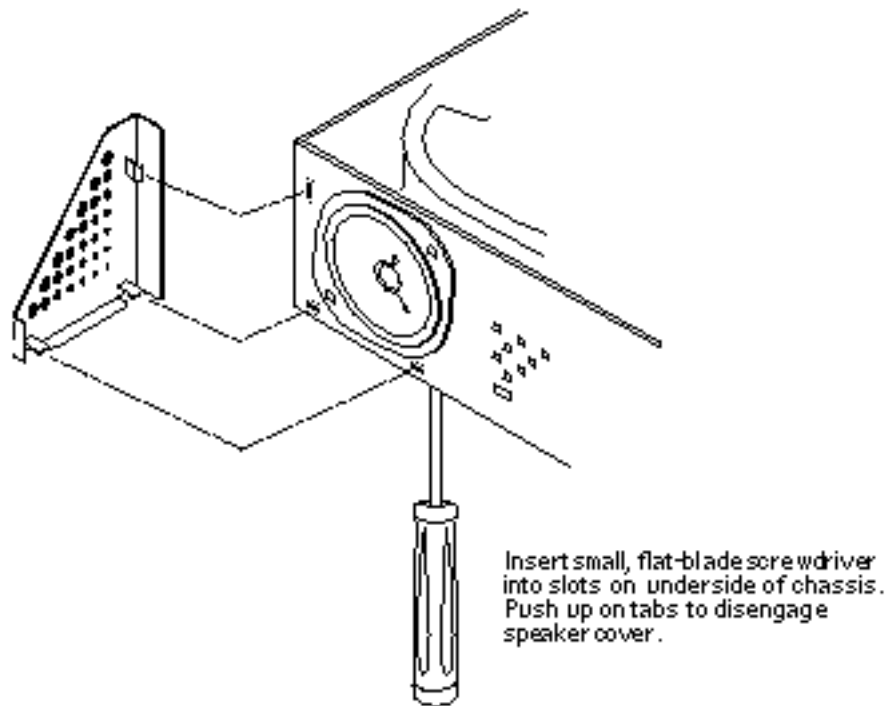


Figure 8-5 Removing the Speaker Cover

7. Use the screwdriver to deflect the third tab, behind the top corner of the speaker cover, and remove the speaker cover.



Caution - Use care when working near or handling the speaker to avoid damaging the speaker surface. Do not touch the diaphragm with tools or your fingers. Grasp the speaker by the metal edges only.

8. Use a Phillips-head screwdriver to remove the two screws that secure the speaker to the system chassis.

Save the screws for installing the replacement speaker. See Figure 8-6.

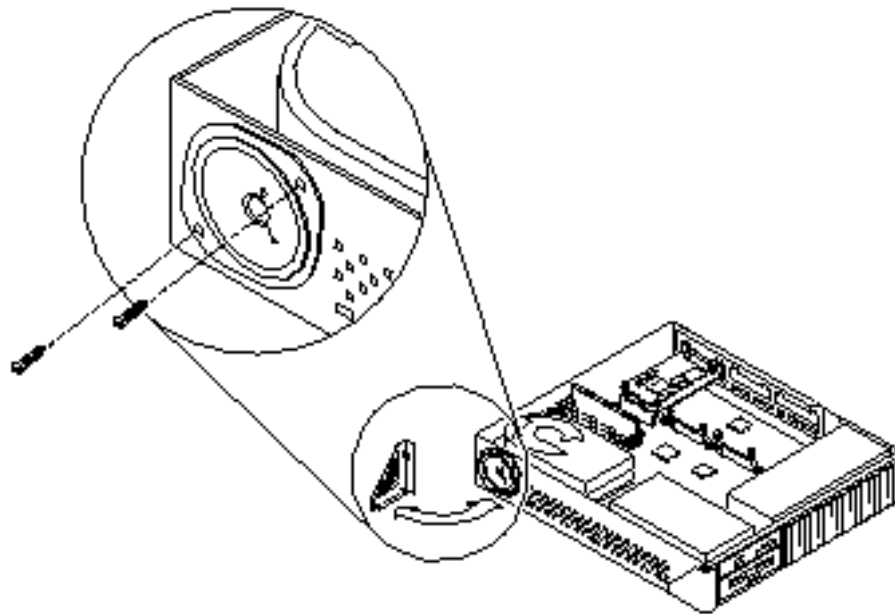


Figure 8-6 Removing the Speaker

- 9. Hold the speaker in one hand and disconnect the two fast-on connectors from the speaker terminals on the back of the speaker.**

See Figure 8-7.

- 10. Set the speaker aside.**

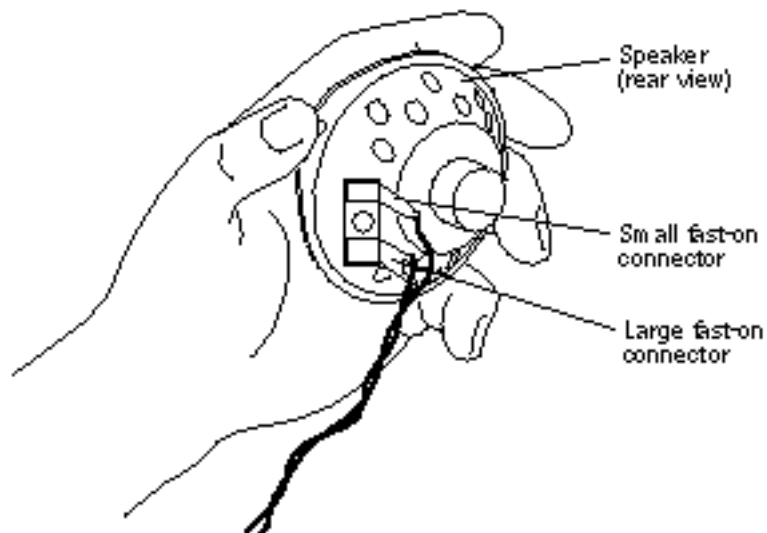


Figure 8-7 Speaker Connections

Replacing the Internal Speaker



Caution - Do not touch the black inner surface of the speaker. Handle the speaker only by the metal frame to avoid damage.

1. Pull the speaker end of the speaker/LED cable through the speaker opening in the chassis wall.
2. Unpack the replacement speaker.
3. Slide the fast-on connectors at the end of the speaker/LED cable onto the terminals of the replacement speaker.
See Figure 8-7.

Note - One connector and terminal pair is larger than the other. They are sized differently to ensure proper connection.

4. **Install the speaker in the opening on the left front of the system chassis and secure it with the two screws removed earlier.**
See Figure 8-6.
5. **Replace the snap-on corner speaker cover. Press all three tab areas to ensure that the tabs snap securely into the chassis slots.**
6. **Detach the wrist strap and replace the cover.**
See Chapter 7.
7. **Power on the system.**
See “Powering On the System” on page 46.

SCSI Backplane

Note - SCSI termination for internal drives is provided automatically by the SCSI backplane.

Removing the SCSI Backplane

The hard drive(s) connect to a SCSI backplane that provides SCSI data, power, and a target ID to the drive through a single connector.

1. **Shut down and power off the system.**
See “Powering Off the System” on page 43.
2. **Remove the cover and attach a wrist strap.**
See Chapter 7.
3. **Remove the hard disk drive(s).**
See “Removing a Hard Disk Drive” on page 68.
4. **Disconnect the DC power harness and SCSI data cable from the SCSI backplane.**
See Figure 8-8.

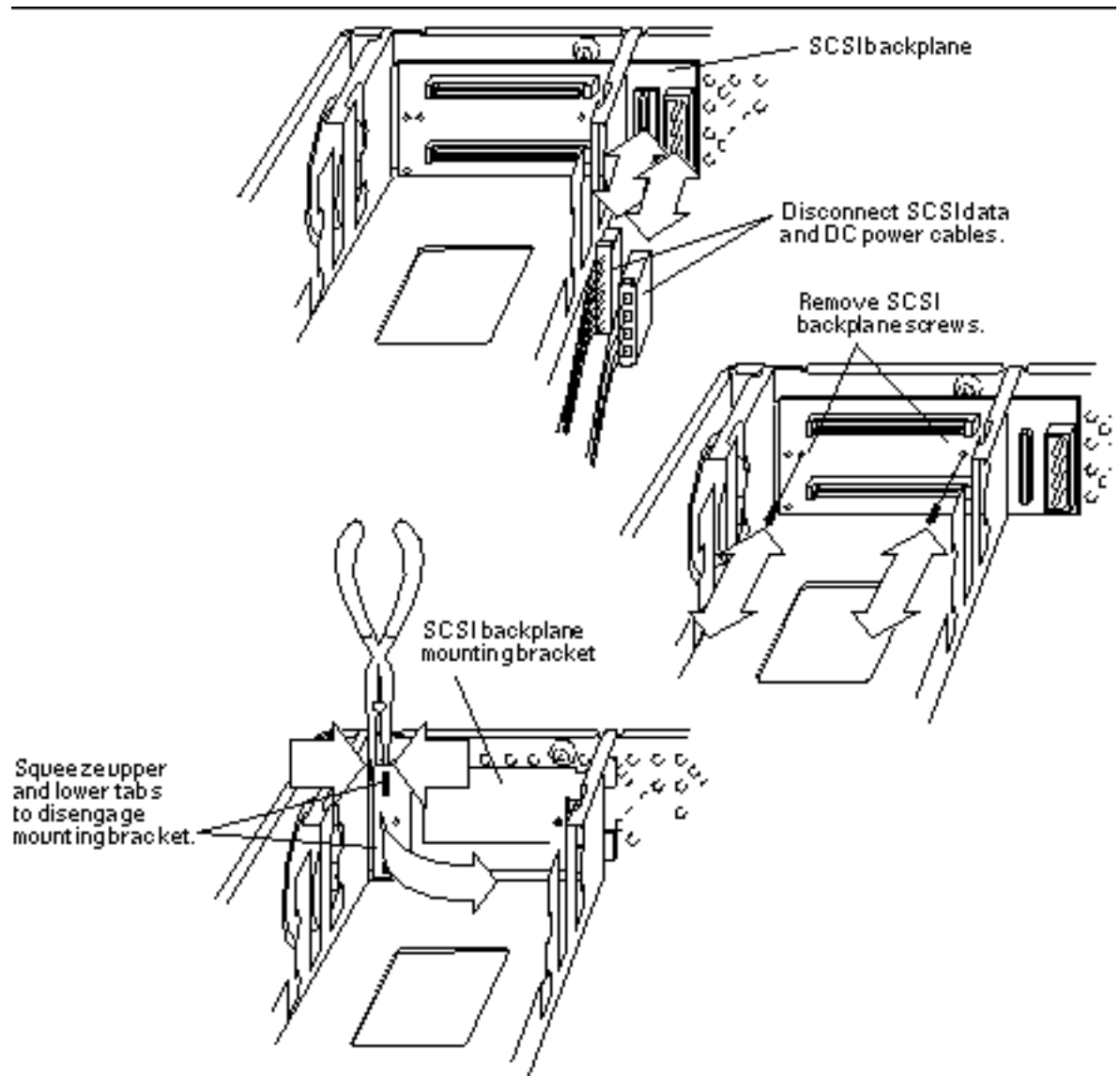


Figure 8-8 Removing the SCSI Backplane

5. Remove the two Phillips-head screws that secure the SCSI backplane to its plastic mounting bracket.

Remove the SCSI backplane from the system unit chassis. See Figure 8-8.

- 6. Use long needlenose pliers to squeeze the plastic tabs at the upper-left corner of the backplane mounting bracket. Pull slightly on the backplane to disengage the tabs.**
See Figure 8-8.
- 7. Repeat 6 for the tabs at the lower-left corner of the bracket.**
- 8. Swing the left side of the backplane away from the chassis and remove it from the system.**

Replacing the SCSI Backplane

- 1. Remove the replacement SCSI backplane and bracket assembly from the shipping bag and place it on an antistatic surface.**
- 2. Position the backplane and bracket assembly so that the tabs on all four corners of the mounting bracket align with the corresponding slots in the chassis wall.**
The backplane must be inserted at an angle to accomplish this.
- 3. Push on the upper-left and lower-left corners of the backplane to snap it into place.**
See Figure 8-8.
- 4. Connect the SCSI data cable and DC power harness to the SCSI backplane.**
See Figure 8-8.
- 5. Replace the hard disk drive(s).**
See “Hard Disk Drive” on page 67.
- 6. Remove the wrist strap from your wrist and then from the power supply.**
- 7. Replace the cover.**
See “Replacing the Cover” on page 50.
- 8. Power on the system.**
See “Powering On the System” on page 46.

Storage Devices

This chapter includes information about how to remove and replace the system's internal storage devices and related cables.

Hard Disk Drive

Do tasks in the listed order:

- Determine disk drive to replace
- Remove disk drive to be replaced
- Install new disk drive

The SPARCstation 5 system accommodates 535-Mbyte and 1.05-Gbyte hard disk drives. Both drives have a single connector that connects to the SCSI backplane in the system unit chassis. A specially designed handle, fastened to the drive, speeds drive removal and installation.

Note - Do not remove the handle from the hard drive. It is part of the field replaceable unit (FRU).

Figure 9-1 shows the location of the drives.

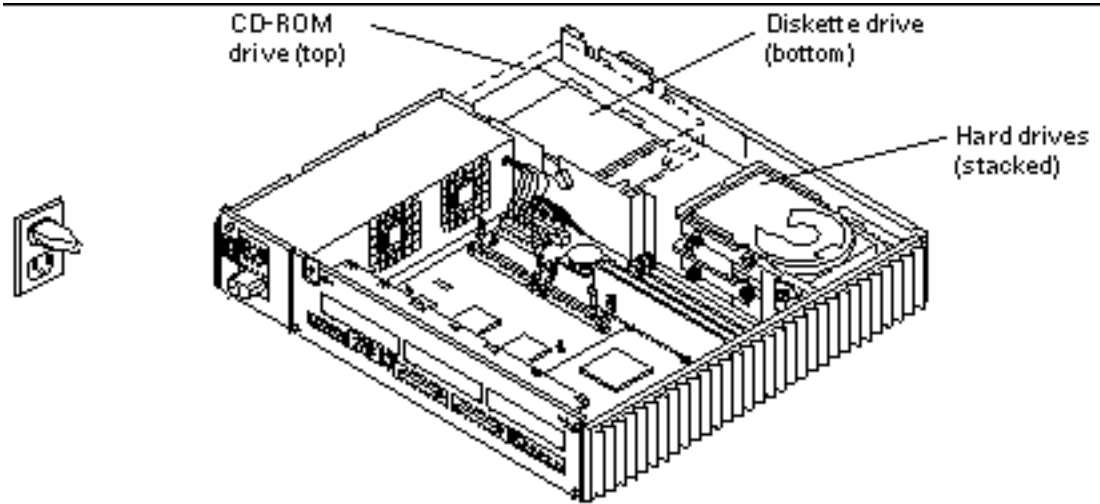


Figure 9-1 Drive Locations

Removing a Hard Disk Drive

1. Shut down and power off the system.

See "Powering Off the System" on page 43.

2. Remove the cover and attach a wrist strap.

See Chapter 7.

3. Determine which drive you need to remove.

If you need to remove the bottom disk drive, follow the steps to remove the top disk drive first.

Note - The position of a drive determines its SCSI target address. The bottom drive automatically becomes SCSI address 3 on installation. The top drive becomes SCSI address 1 on installation. SCSI termination for internal drives is provided automatically by the SCSI backplane.



Caution - Once a hard drive has been installed in the SPARCstation 5 system, do not change the position of that drive.

4. A latch is located at the rear of the drive. Press the plastic latch to release the drive handle.
5. Lift the drive handle to its vertical position.
When lifted, the drive bracket acts as a lever to disconnect the drive from the chassis connector on the SCSI backplane.
6. Grasp the drive bracket handle and lift the drive straight up and out of the chassis.
Place it on an antistatic surface. See Figure 9-2.

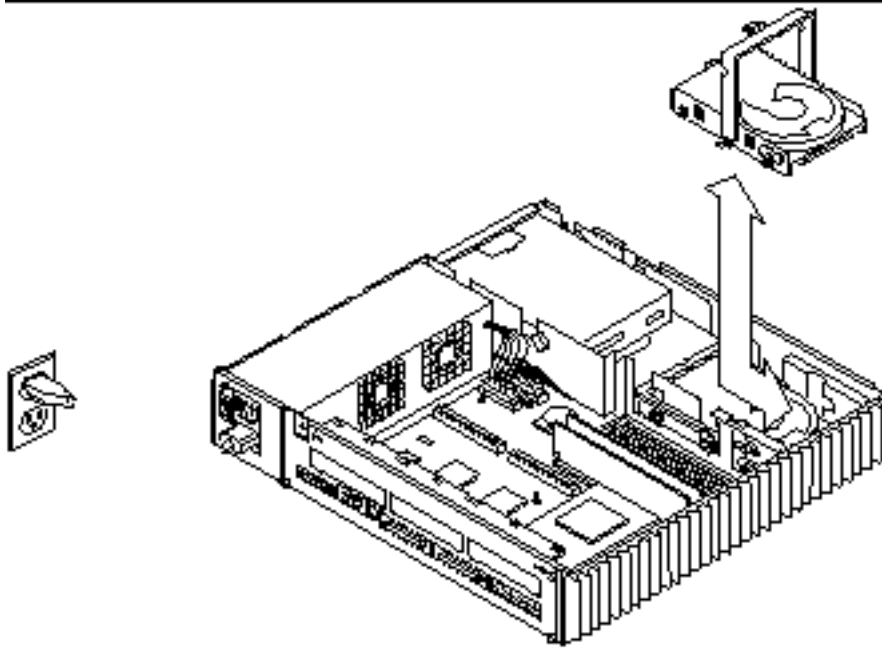


Figure 9-2 Removing a Hard Disk Drive

7. Repeat Steps 4 through 6 to remove the bottom disk drive (if necessary).

Replacing a Hard Disk Drive

Note - No jumper settings are required for the hard drives.

1. Remove the replacement drive from its antistatic shipping bag.
2. Release the handle latch near the rear of the drive and lift the handle to the vertical position.
3. Grasp the drive bracket handle with one hand; with your other hand, hold the drive steady. Maintain the drive in a horizontal position and lower it into the chassis.

Note - Be sure that the connector on the hard drive is pointed toward the SCSI backplane.

You may need to adjust the drive assembly. Make sure the drive is properly seated in the peripheral bracket side-rail mounting slots.

4. Push the drive bracket handle down toward the end opposite the connector until the handle locks into the clip at the end of the drive bracket.

See Figure 9-3.

Note - Do not force the handle. If the handle does not move easily into the latched position, connecting the drive to the SCSI backplane, remove the drive and try again.

When lowered, the drive bracket handle acts as a mechanism to engage the drive and the SCSI backplane connector. The position of the drive in the chassis determines its SCSI address. The lower disk drive is automatically assigned SCSI address 3, while the upper drive (if present) is automatically assigned SCSI address 1.

Note - If a drive is not installed in the upper bay, SCSI address 1 is available for use by an external peripheral on the SCSI bus. However, if a drive is installed later in the upper bay, its automatic address will conflict with that of the external peripheral.

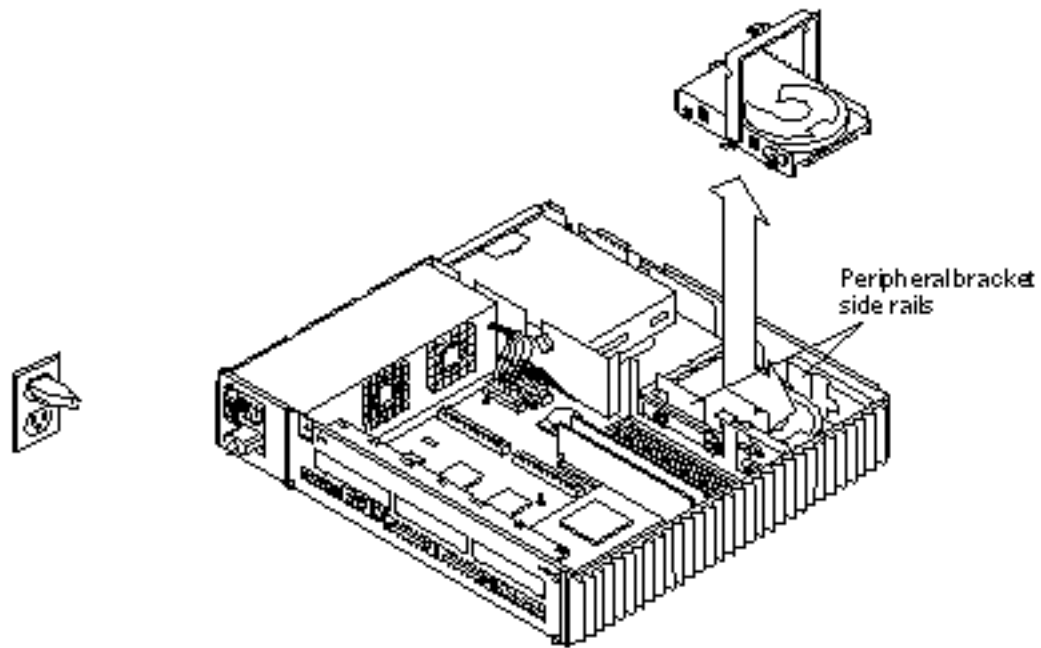


Figure 9-3 Replacing a Disk Drive

5. Repeat Steps 3 and 4 to reinstall the top disk drive (if necessary).
6. Detach the wrist strap and replace the cover.
See Chapter 7.
7. Power on the system.
See "Powering On the System" on page 46.

CD-ROM Drive

Removing the CD-ROM Drive

1. Shut down and power off the system.
See "Powering Off the System" on page 43.

2. **Remove the cover and attach a wrist strap.**
See Chapter 7.
 3. **Push the CD-ROM drive toward the edge of the chassis to disengage it.**
The CD-ROM drive is installed above the diskette drive. See Figure 9-4.
 4. **Disconnect the SCSI data, DC power, and audio cables from the CD-ROM drive.**
Leave the cables plugged into the system board.
 5. **Lift the drive out of the chassis and place it on an antistatic surface.**
-

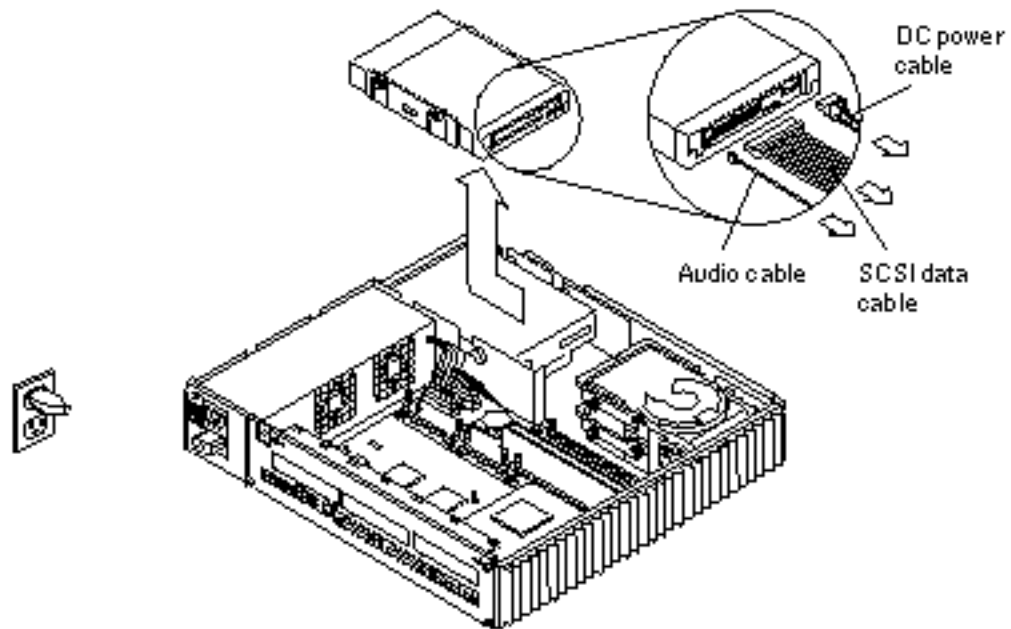


Figure 9-4 Removing the CD-ROM Drive

Replacing the CD-ROM Drive

1. **Remove the replacement CD-ROM drive from its antistatic bag.**

Note - All necessary brackets and grommets are installed on the CD-ROM drive when it is shipped to you.

2. **Make sure the jumper settings on the replacement drive match those shown in Figure 9-5.**

Jumpers should be present for ID4, ID2, and Term power; all other jumpers should be removed.

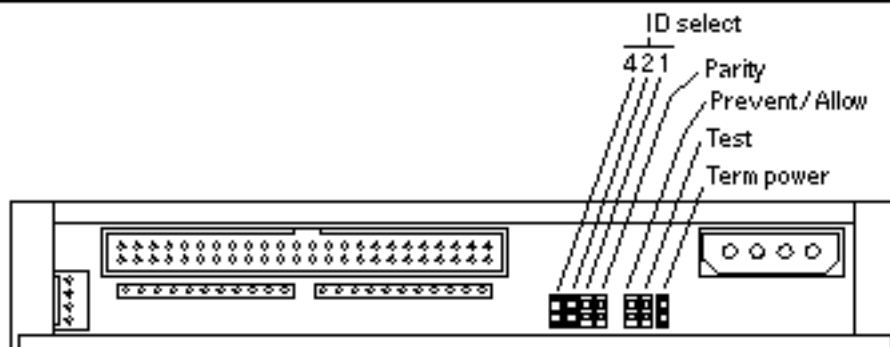


Figure 9-5 Jumper Settings for SPARCstation 5 CD-ROM Drive

3. **Install the drive as shown in Figure 9-6.**

The CD-ROM drive sits on the shelf above the diskette drive. Push the drive toward the center of the unit so that the grommets lock into place.

4. **Attach the SCSI data, DC power, and audio cables to the drive.**

See Figure 9-6.

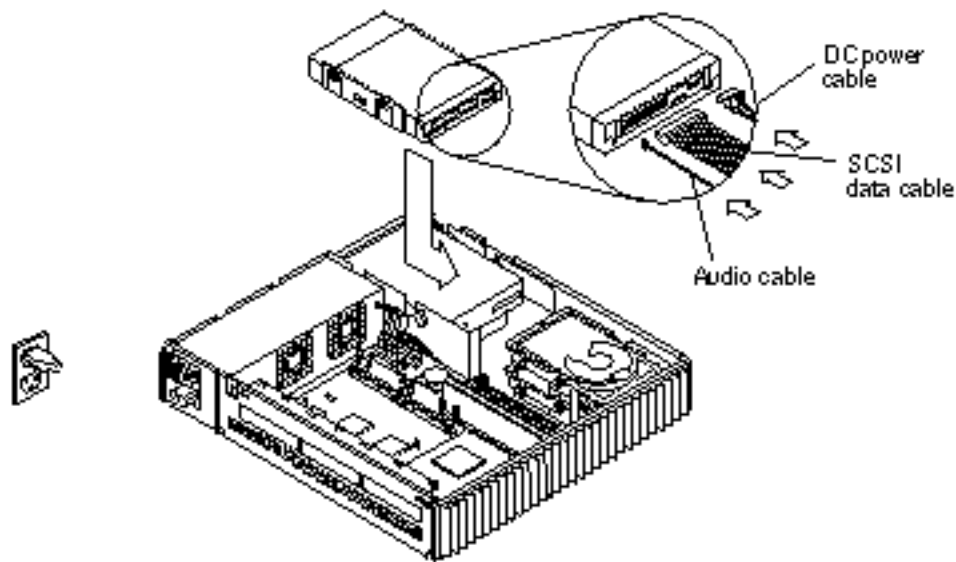


Figure 9-6 Replacing the CD-ROM Drive

5. **Detach the wrist strap and replace the cover.**
See Chapter 7.
6. **Power on the system.**
See “Powering On the System” on page 46.

Diskette Drive

Do tasks in the listed order:

- Remove the CD-ROM drive (if necessary)
- Remove the diskette drive
- Set the diskette drive switch to the 0 position on the replacement drive
- Install the diskette drive

The diskette drive is located under the CD-ROM drive, adjacent to the power supply. In order to remove or install the diskette drive, you must first remove the CD-ROM drive if it is present. Figure 9-7 shows the locations of both drives.

The diskette drive is not a SCSI device. Some of the other drives in your system are SCSI devices—such as the CD-ROM drive and the hard disk drives. The diskette drive connects to an 8-bit internal bus in the SPARCstation 5 system.

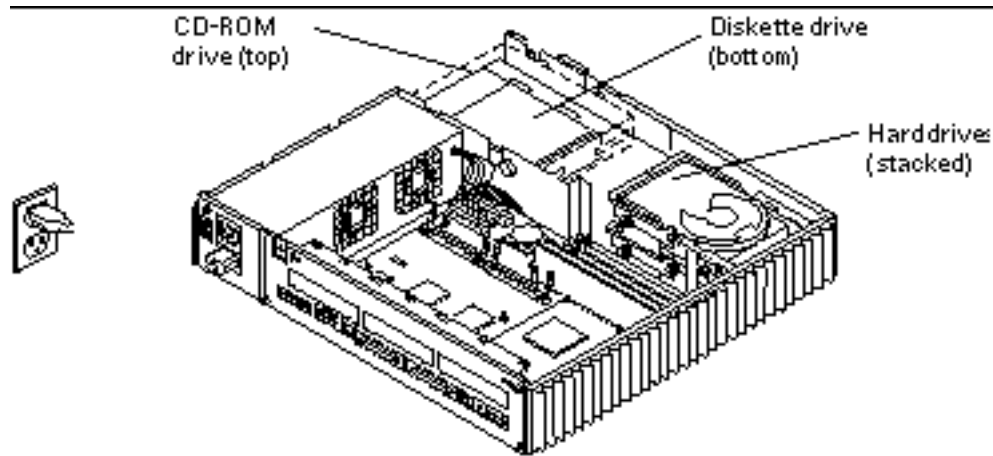


Figure 9-7 Diskette Drive Location

Removing the Diskette Drive

- 1. Shut down and power off the system.**
See “Powering Off the System” on page 43.
- 2. Remove the cover and attach a wrist strap.**
See Chapter 7.
- 3. Remove the CD-ROM drive (if installed). If the CD-ROM drive is not installed, remove the CD-ROM filler panel as shown in Figure 9-8.**
See “Removing the CD-ROM Drive” on page 71, if you need to remove the CD-ROM drive.

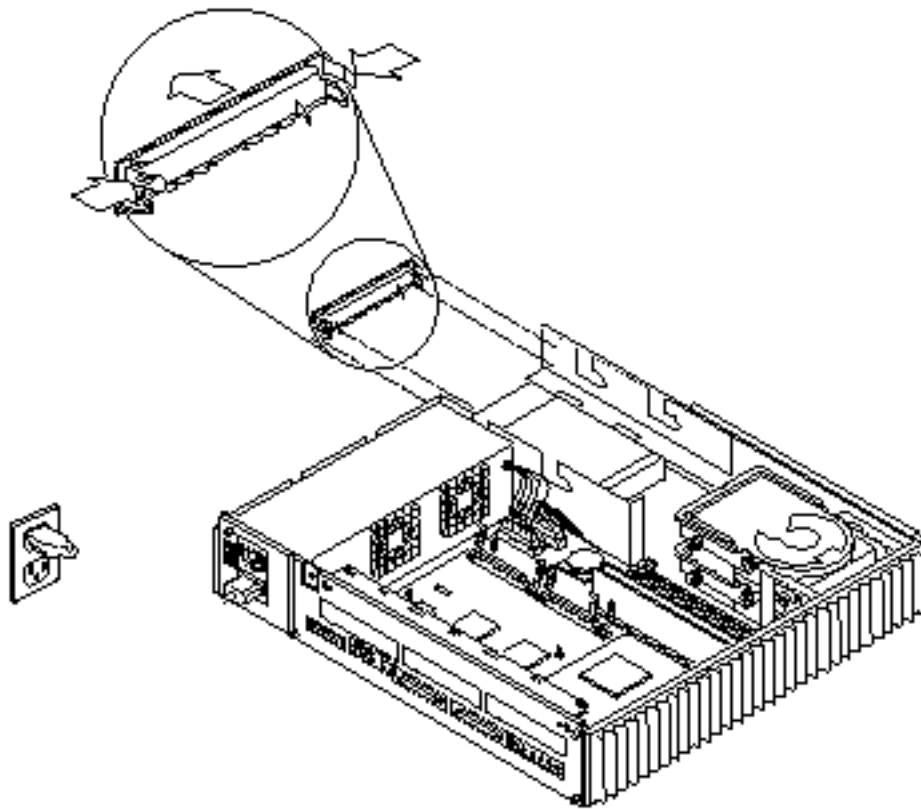


Figure 9-8 Removing the CD-ROM Filler Panel

4. Push the diskette drive toward the center of the chassis to disengage it.

You may need to use a screwdriver for leverage. Use the screwdriver to push on the drive grommets as shown in Figure 9-9. Do not push on the drive's front bezel.

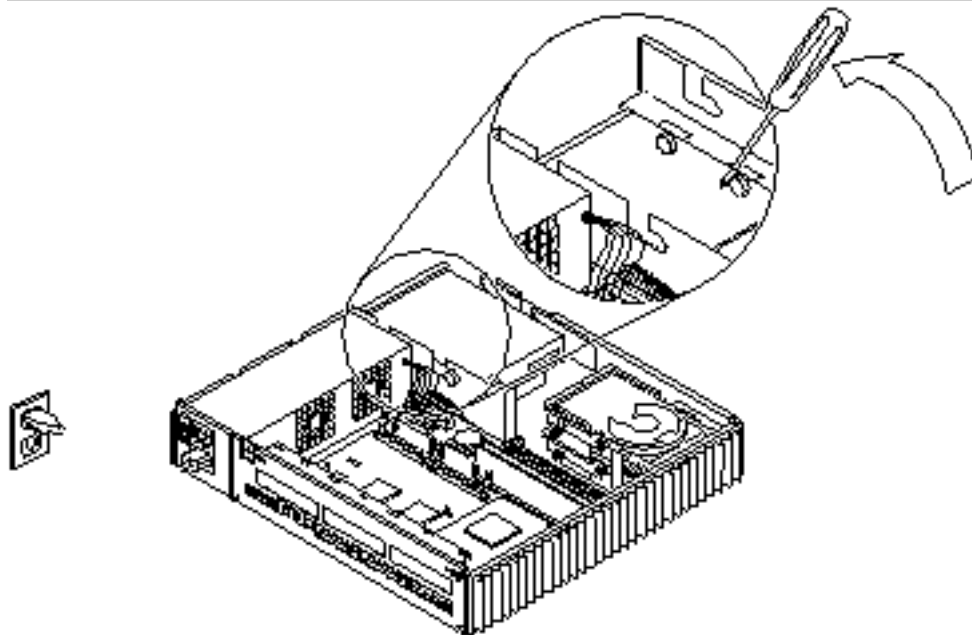


Figure 9-9 Disengaging the Diskette Drive

- 5. Lift the diskette drive out of the drive bracket. Holding the drive in one hand, detach the diskette data and DC power cables from the drive with your other hand.**

See Figure 9-10

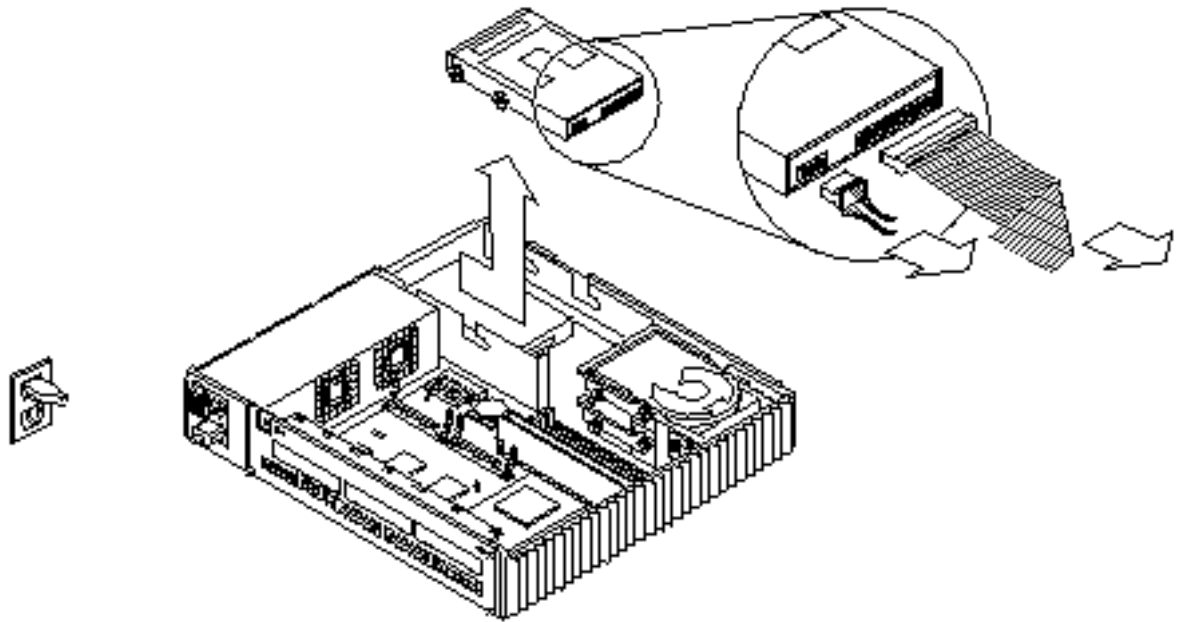


Figure 9-10 Removing the Diskette Drive

6. Lift the diskette drive out of the chassis and place it on an antistatic mat.
7. Remove the mounting grommets and screws from the drive.

Replacing the Diskette Drive

1. Take the four grommets and screws that you removed from the defective diskette drive and install them on the replacement drive.

Install the grommets in the lower set of holes as shown in Figure 9-11.

2. Set the diskette drive switch to position 0.

If your diskette drive does not have a switch, skip this step. See Figure 9-11.

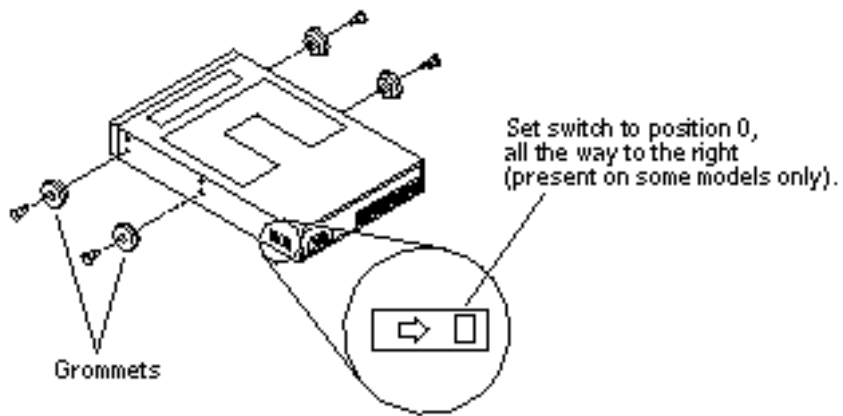


Figure 9-11 Diskette Drive Switch and Grommets

3. **Holding the diskette drive in one hand, lower it far enough into the chassis to connect the cables. Attach the diskette data and DC power cables to the drive.**
See Figure 9-12.
4. **Lower the drive grommets into the corresponding slots in the side rails, and slide the drive toward the chassis wall until it is fully engaged.**
See Figure 9-12.

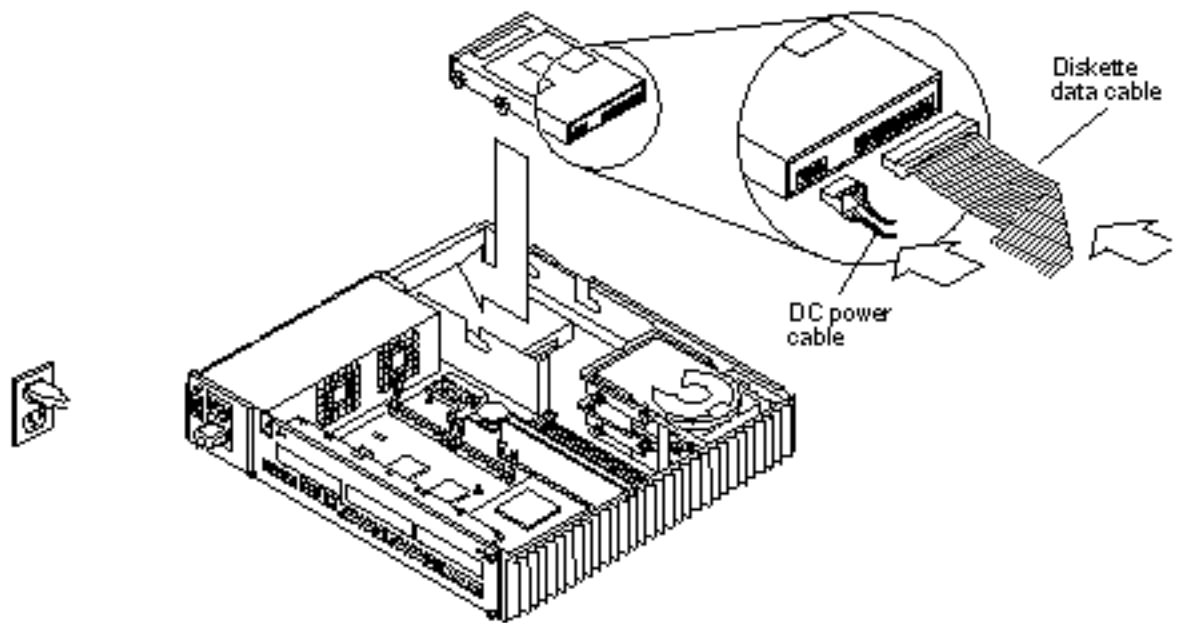


Figure 9-12 Replacing the Diskette Drive

5. **If there is a CD-ROM drive, reinstall it. Otherwise, replace the CD-ROM drive filler panel shown in Figure 9-8.**

If you need to install the CD-ROM drive, see “Replacing the CD-ROM Drive” on page 72.

6. **Detach the wrist strap and replace the cover.**

See Chapter 7.

7. **Power on the system.**

See “Powering On the System” on page 46.

Internal SCSI Data Cable

Removing the Internal SCSI Cable

1. **Shut down and power off the system.**
See “Powering Off the System” on page 43.
2. **Detach all external cables from the rear panel except the power cord.**
3. **Remove the cover and attach a wrist strap.**
See Chapter 7.
4. **Unplug the DC power, SCSI data, diskette data, speaker/LED, and CD-ROM audio cables from the system board (see Figure 9-13).**
You may need to remove an SBus card to access the audio connector. See “Removing an SBus Card” on page 102.

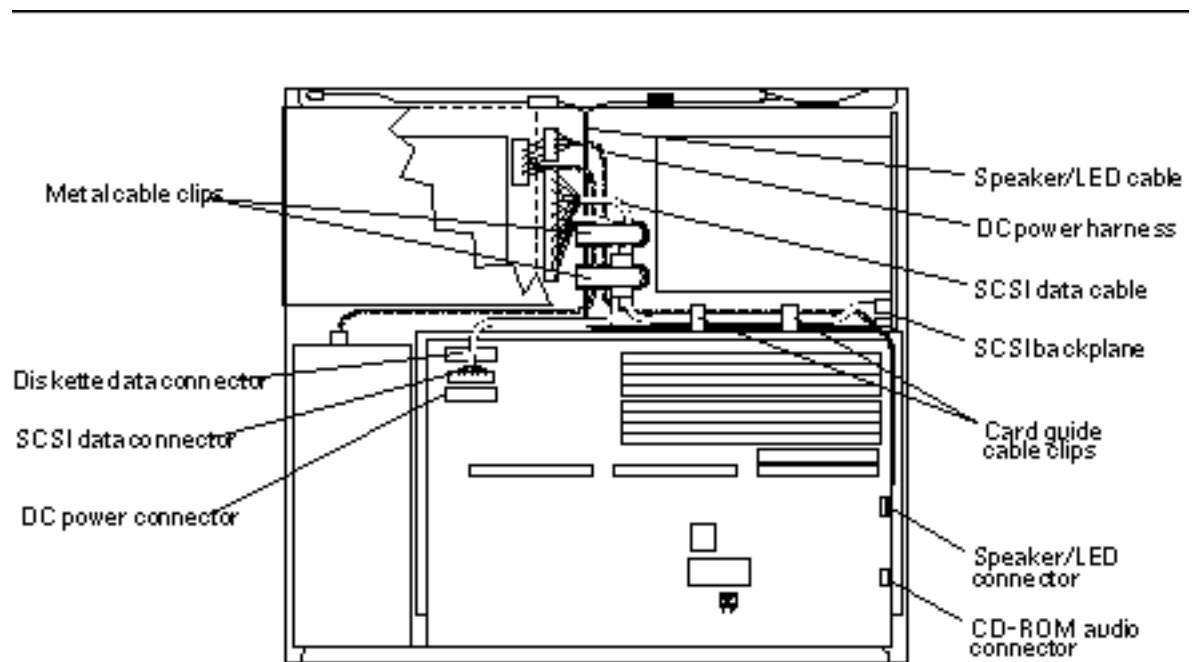


Figure 9-13 System Board Cable Connections

5. Loosen the two captive Phillips-head screws that secure the system board to the rear of the chassis.

See Figure 9-14.

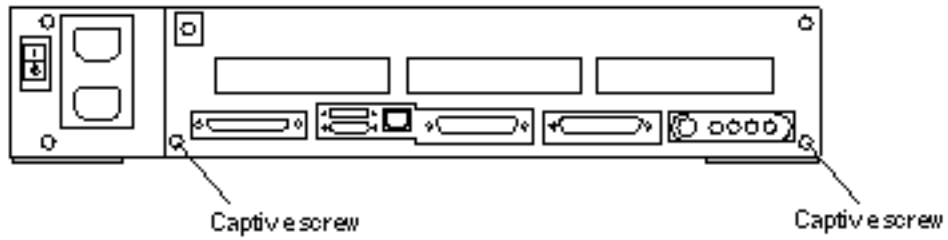


Figure 9-14 Rear Panel Captive Screws

6. Pull the board out of the back of the chassis until it clears the plastic card guide.

Place the board on an antistatic surface. See Figure 9-15.

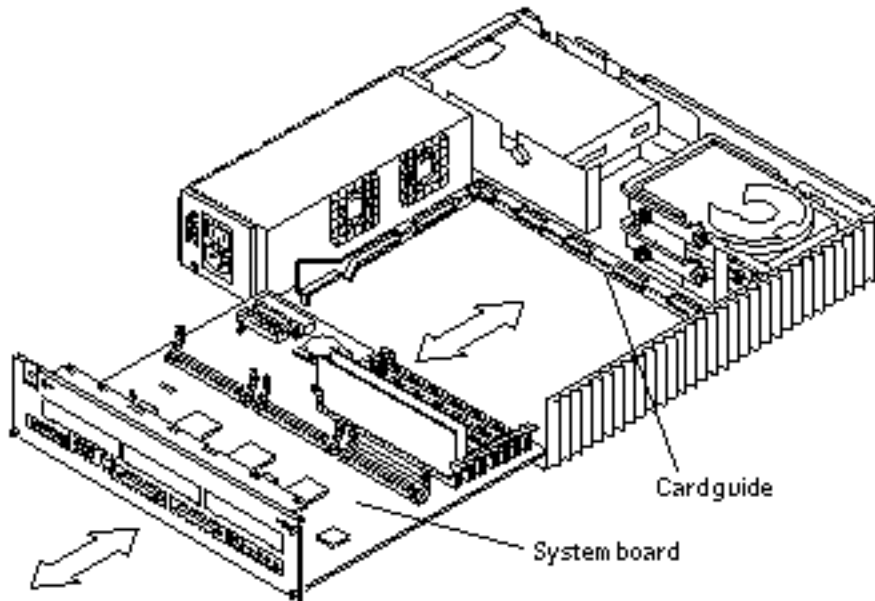


Figure 9-15 Removing the System Board

- 7. Remove the CD-ROM drive (if present).**
See “Removing the CD-ROM Drive” on page 71.
- 8. Free the SCSI data cable from the metal cable clips on the chassis floor and from the plastic cable clips on the card guide.**
See Figure 9-14.
- 9. Disconnect the DC power harness from the SCSI backplane.**
See Figure 9-14.
- 10. Disconnect the internal SCSI data cable from the SCSI backplane and from the system board.**
See Figure 9-14.
- 11. Carefully remove the internal SCSI data cable from the chassis.**

Replacing the Internal SCSI Data Cable

Visual markers have been placed on the internal cables to help you route the cables through the metal cable clips properly. The markers are either tie-wrap cords or colored tape affixed to each cable. When properly installed, the two tie-wraps on each cable should straddle the metal cable clip that is closest to the system board. For the SCSI data cable, the colored tape should be centered directly below that same cable clip.

- 1. Route the SCSI data cable through the metal cable clips.**
The taped portion of the SCSI data cable should be positioned directly beneath the lower cable clip as shown in Figure 9-16.

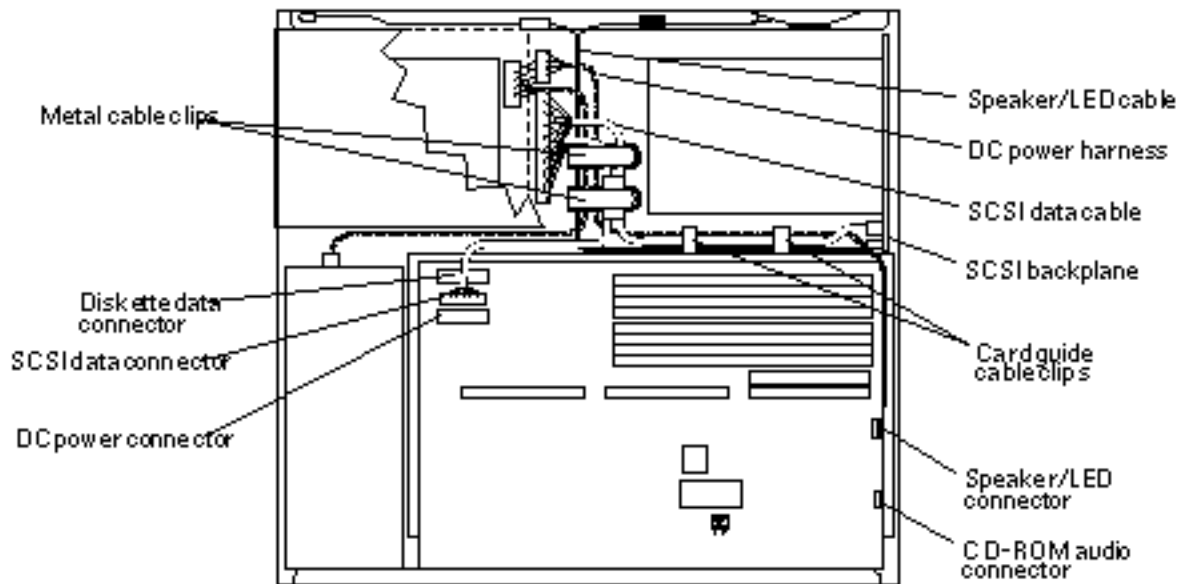


Figure 9-16 Internal Cable Routing

2. Secure the SCSI data cable under the plastic card guide cable clips.
3. Connect the SCSI data cable to the SCSI backplane.
4. Connect the DC power harness to the SCSI backplane.
5. Insert the front edge of the system board into the card guide. Lift the rear of the board slightly and slide it along the card guide until it is fully inserted.
See Figure 9-17.

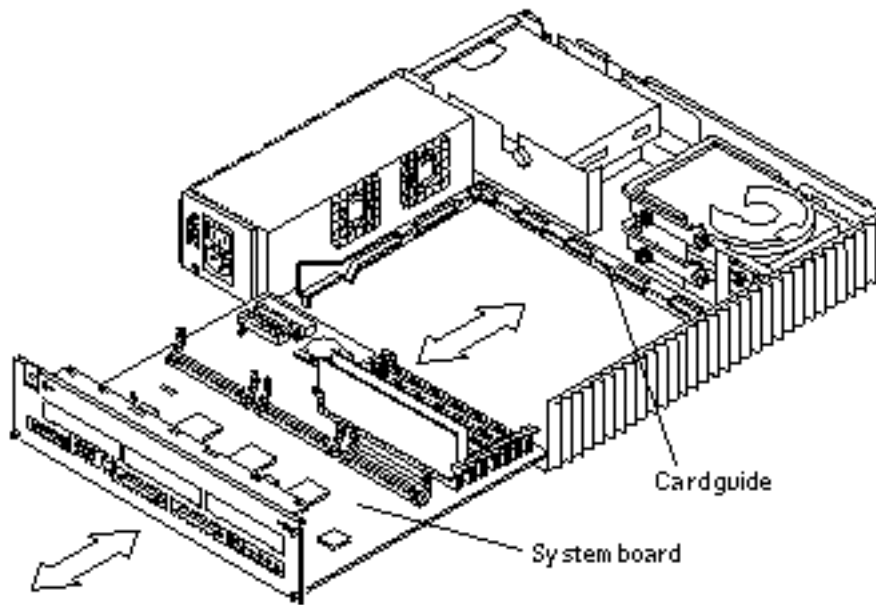


Figure 9-17 Replacing the System Board

- 6. Reconnect the DC power, SCSI data, diskette data, speaker/LED, and CD-ROM audio cables to the system board.**
See Figure 9-16.
- 7. Reinstall the SBus card (if necessary).**
See “Replacing an SBus Card” on page 105.
- 8. Tighten the two captive Phillips-head screws that secure the board to the rear of the chassis.**
See Figure 9-18.

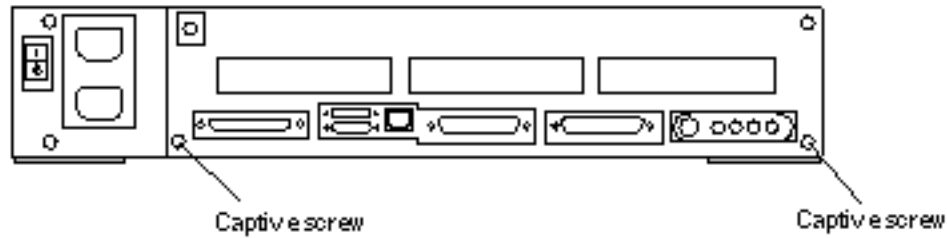


Figure 9-18 Backpanel Captive Screws

9. **Install the CD-ROM drive (if necessary).**
See "Replacing the CD-ROM Drive" on page 72.
10. **Detach the wrist strap and replace the cover.**
See Chapter 7.
11. **Reconnect all external cables to the rear panel.**
12. **Power on the system.**
See "Powering On the System" on page 46.

DC Power Harness

Removing the DC Power Harness

1. **Shut down and power off the system.**
See "Powering Off the System" on page 43.
2. **Detach all external cables from the rear panel, including the power cord.**
3. **Remove the cover and attach a wrist strap.**
See Chapter 7.

4. **Unplug the DC power, SCSI data, diskette data, speaker/LED, and CD-ROM audio cables from the system board (see Figure 9-19).**

You may need to remove an SBus card to access the audio connector.
See "Removing an SBus Card" on page 102.

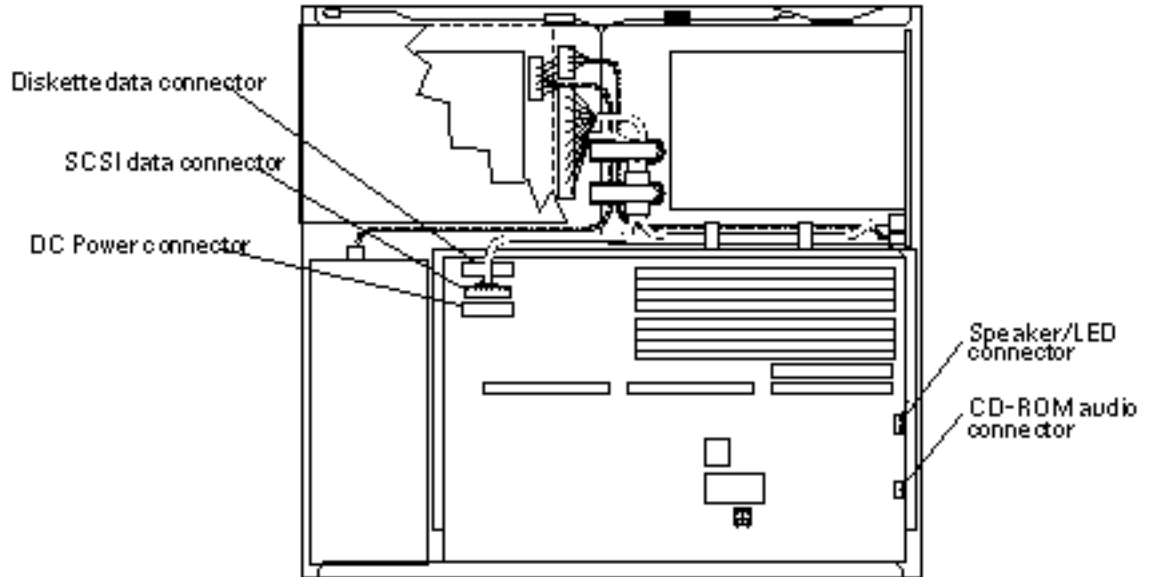


Figure 9-19 System Board Cable Connections

5. **Loosen the two captive Phillips-head screws that secure the system board to the rear of the chassis.**

See Figure 9-20.

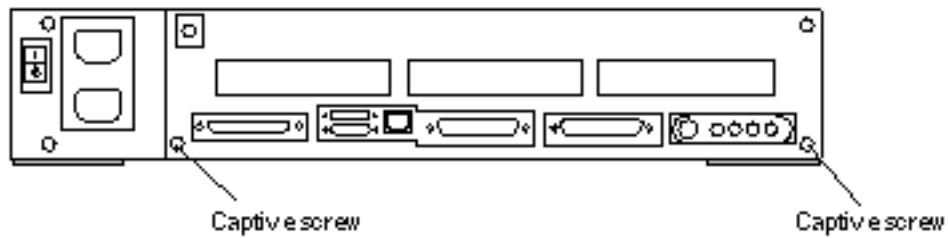


Figure 9-20 Rear Panel Captive Screws

- 6. Pull the board out of the back of the chassis until it clears the plastic card guide.**
Place the board on an antistatic surface. See Figure 9-21.

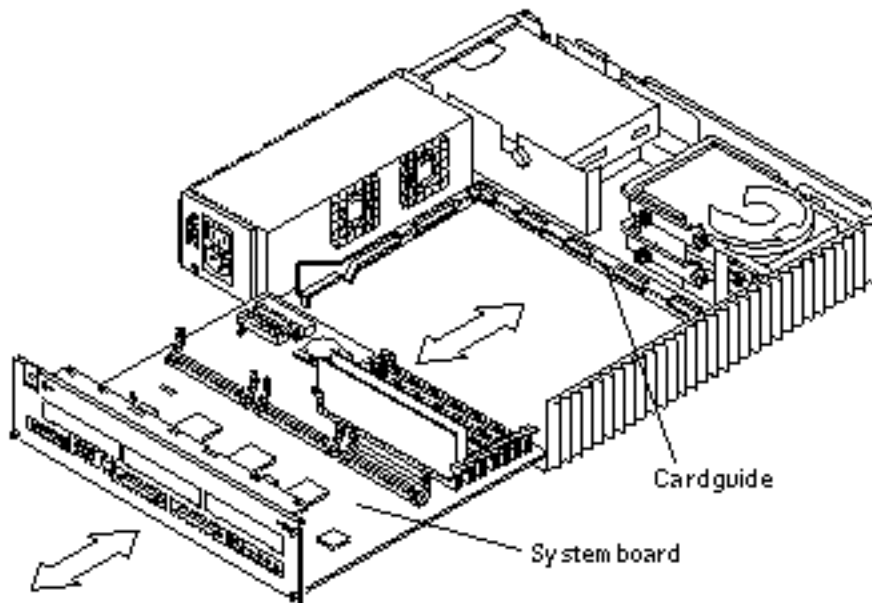


Figure 9-21 Removing the System Board

- 7. Remove the CD-ROM drive (if present).**
See "Removing the CD-ROM Drive" on page 71.

8. **Disconnect the DC power harness from the diskette drive.**
9. **Free the SCSI data cable from the metal cable clips on the chassis floor and from the card guide plastic cable clips.**
See Figure 9-22.
10. **Disconnect the SCSI data cable from the SCSI backplane.**
See Figure 9-22.
11. **Work the DC power harness free from the cable clips and disconnect it from the SCSI backplane.**
See Figure 9-22.

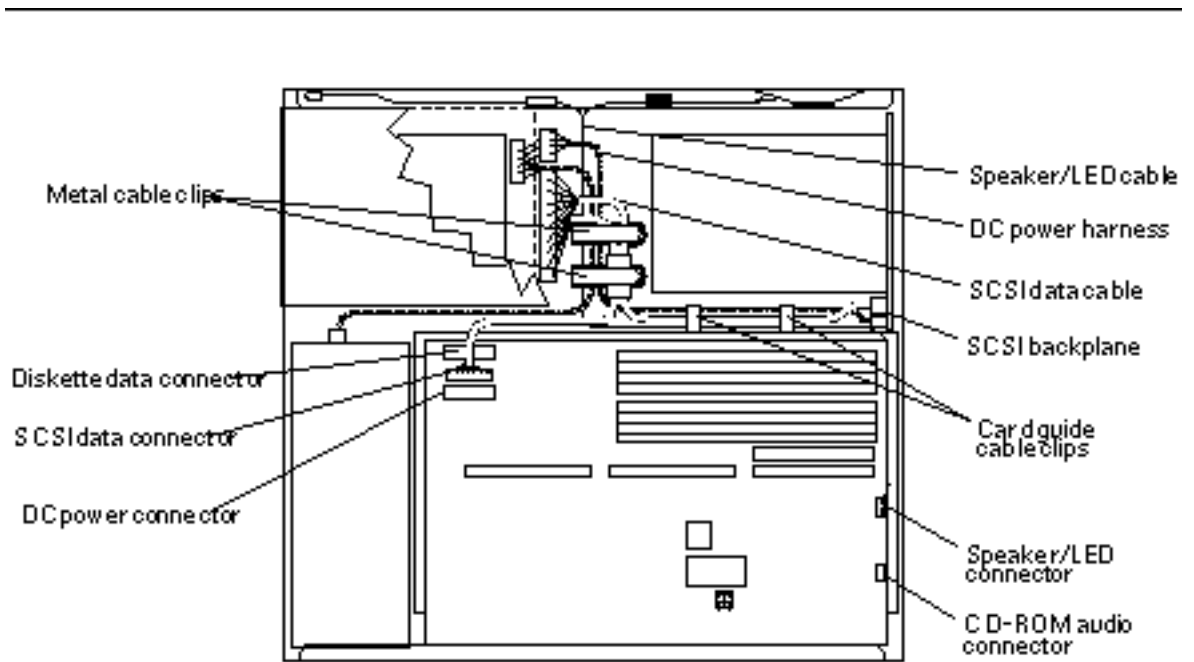


Figure 9-22 Internal Cable Routing

12. **Remove the power supply.**
See "Removing the Power Supply" on page 53.

- 13. Disconnect the DC power harness from the power supply and carefully remove the harness from the system chassis.**

Replacing the DC Power Harness

Visual markers have been placed on the internal cables to help you route the cables through the metal cable clips properly. The markers are either tie-wrap cords or colored tape affixed to each cable. When properly installed, the two tie-wraps on each cable should straddle the metal cable clip that is closest to the system board. For the SCSI data cable, the colored tape should be centered directly below that same cable clip.

- 1. Route the DC power harness through the metal cable clips.**

The two tie-wrap cords on the DC power harness should straddle the cable clip that is closest to the system board (see Figure 9-22).

- 2. Route the SCSI data cable through the metal cable clips.**

The taped portion of the SCSI data cable should be centered beneath the cable clip that is closest to the system board (see Figure 9-22).

- 3. Route the SCSI data cable between the disk drive bracket and the card guide. Secure the cable under the plastic clips at the rear of the card guide and connect it to the SCSI backplane.**

See Figure 9-22.

- 4. Connect the DC power harness to the SCSI backplane.**

See Figure 9-22.

- 5. Connect the DC power harness to the rear of the power supply.**

- 6. Reinstall the power supply.**

See "Replacing the Power Supply" on page 55.

- 7. Connect the DC power harness to the diskette drive.**

- 8. Insert the front edge of the system board into the card guide. Lift the rear of the board slightly and slide it along the card guide until it is fully inserted.**

See Figure 9-23.

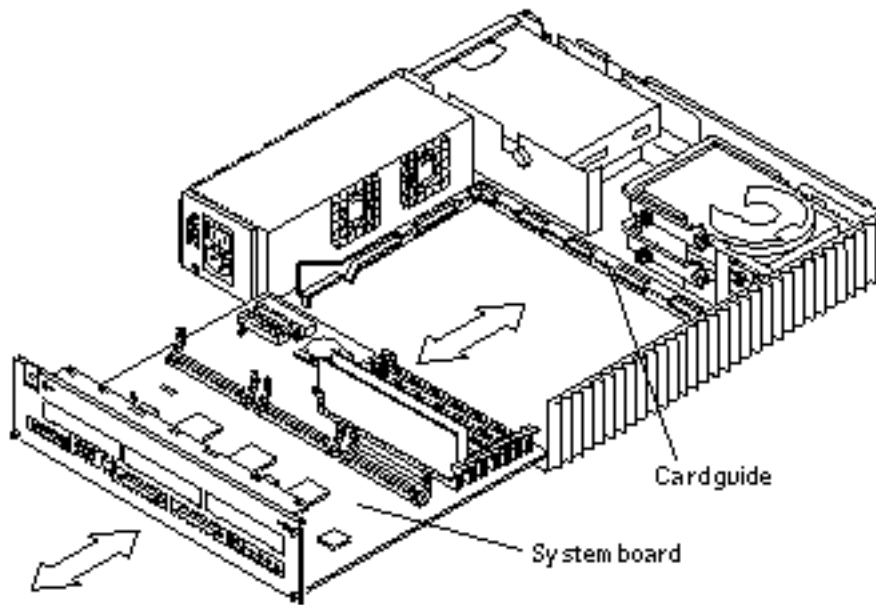


Figure 9-23 Replacing the System Board

- 9. Reconnect the DC power, SCSI data, diskette data, speaker/LED, and CD-ROM audio cables to the system board.**

See Figure 9-22.

- 10. Reinstall the SBus card (if necessary).**

See "Replacing an SBus Card" on page 105.

- 11. Tighten the two captive Phillips-head screws that secure the board to the rear of the chassis.**

See Figure 9-24.

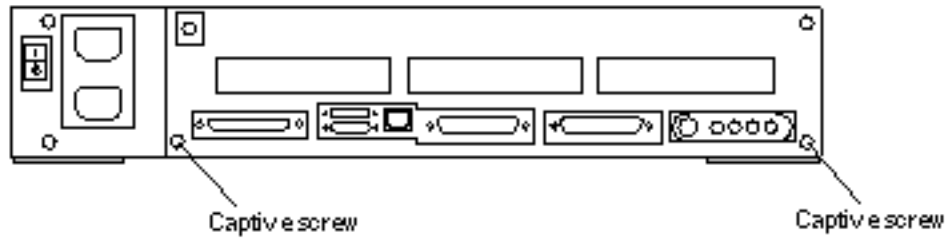


Figure 9-24 Backpanel Captive Screws

- 12. Reinstall the CD-ROM drive (if necessary).**
See "Replacing the CD-ROM Drive" on page 72.
- 13. Detach the wrist strap and replace the cover.**
See Chapter 7.
- 14. Reconnect all external cables to the rear panel.**
- 15. Power on the system.**
See "Powering On the System" on page 46.

Diskette Data Cable

Removing the Diskette Data Cable

- 1. Shut down and power off the system.**
See "Powering Off the System" on page 43.
- 2. Remove the cover and attach a wrist strap.**
See Chapter 7.
- 3. Remove the CD-ROM drive (if present).**
See "Removing the CD-ROM Drive" on page 71.

4. **Remove the diskette drive.**
See “Removing the Diskette Drive” on page 75.
5. **Unplug the diskette data cable from the system board.**
See Figure 9-25.
6. **Carefully note how the diskette data cable is routed, and remove it from the system chassis.**

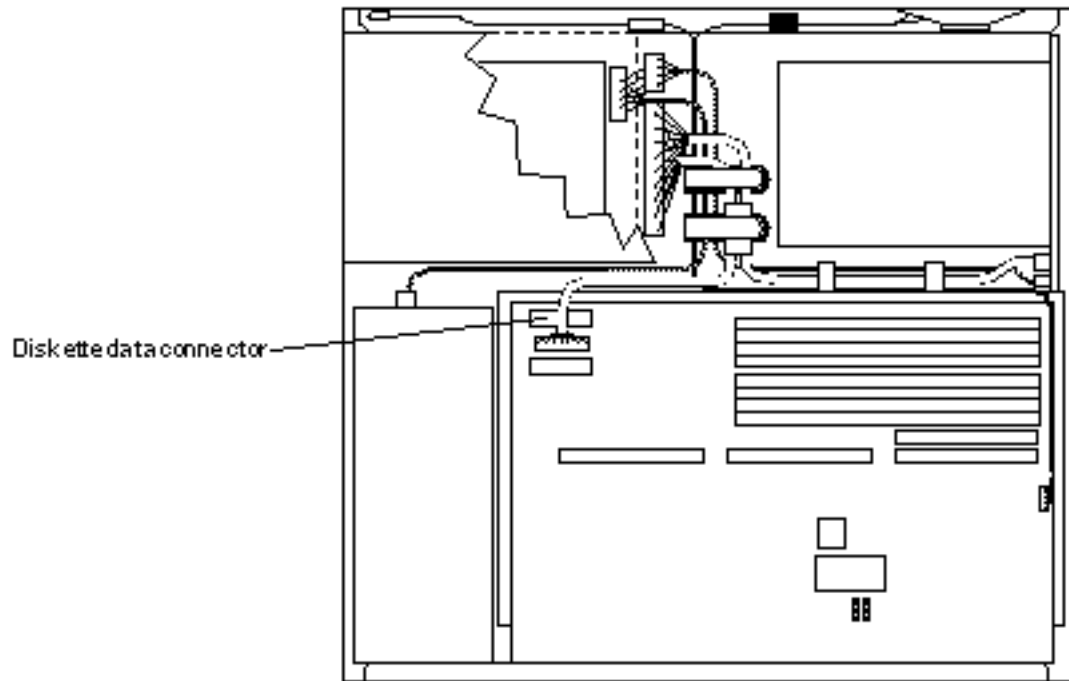


Figure 9-25 System Board Cable Routing

Replacing the Diskette Data Cable

1. **Route the replacement cable in the same manner as the defective cable that you just removed.**
The 90-degree bend in the cable should run directly beneath the diskette drive.
2. **Connect the diskette data cable to the system board.**

See Figure 9-25.

3. **Install the diskette drive.**
See “Replacing the Diskette Drive” on page 78.
4. **Install the CD-ROM drive (if necessary).**
See “Replacing the CD-ROM Drive” on page 72.
5. **Detach the wrist strap and replace the cover.**
See Chapter 7.
6. **Power on the system.**
See “Powering On the System” on page 46.

CD-ROM Audio Cable

Removing the CD-ROM Audio Cable

1. **Shut down and power off the system.**
See “Powering Off the System” on page 43.
2. **Remove the cover and attach a wrist strap.**
See Chapter 7.
3. **Disconnect the CD-ROM audio cable from the CD-ROM drive.**
Figure 9-26 shows where the audio cable connects to the CD-ROM drive.

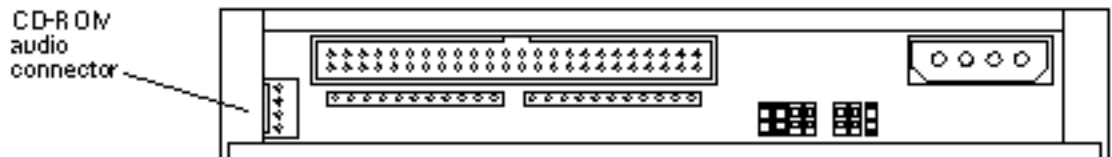


Figure 9-26 Audio Connector on the CD-ROM Drive

4. **Disconnect the CD-ROM audio cable from its connector on the system board.**

See Figure 9-27.

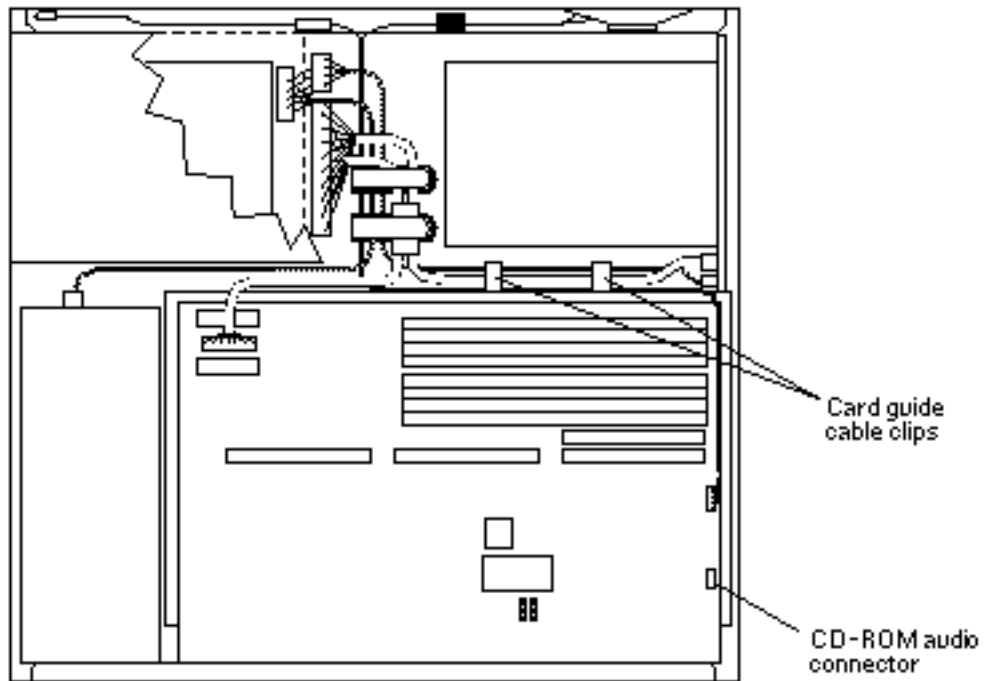


Figure 9-27 CD-ROM Audio Connector on the System Board

5. Carefully note how the CD-ROM audio cable is routed, and remove it from the system chassis.

Replacing the CD-ROM Audio Cable

1. Route the replacement cable in the same manner as the defective cable that you just removed.
Secure the cable beneath the plastic cable clips on the card guide. See Figure 9-27.
2. Connect the CD-ROM audio cable to the system board.
See Figure 9-27.
3. Connect the CD-ROM audio cable to the audio connector on the CD-ROM drive.

See Figure 9-27.

4. Detach the wrist strap and replace the cover.

See Chapter 7.

5. Power on the system.

See “Powering On the System” on page 46.

System Board Overview

This chapter describes precautions you should take when handling the system board. It also shows the layout of the system board and identifies the replaceable components of system board.

Damage Prevention



Caution - Use an antistatic mat when working with the system board. An antistatic mat contains the amount of cushioning needed to protect the underside components, to prevent board flexing, and to provide antistatic protection. Part numbers for antistatic mats from Sun are listed in Chapter 12.

Handling System Boards and Assemblies



Caution - The system chassis power switch must be set to Standby, and the AC power cord must remain plugged in to ensure a proper ground.



Caution - Hot surface. Avoid contact. Surfaces are hot and may cause personal injury if touched.



Caution - The system board and related modules and cards have surface-mount components which may break if the board is flexed.

To minimize the amount of board flexing, observe the following precautions:

- Hold the system board only by the edges.
- Do not place the system board, SBus cards, DSIMMs, or chips on a hard surface. Use a cushioned antistatic mat. See Chapter 12.
- Transport the board in an antistatic bag.

Protect yourself and the equipment by observing the safety precautions described in Chapter 5.

System Board Layout

Figure 10-1 shows the major components on the system board.

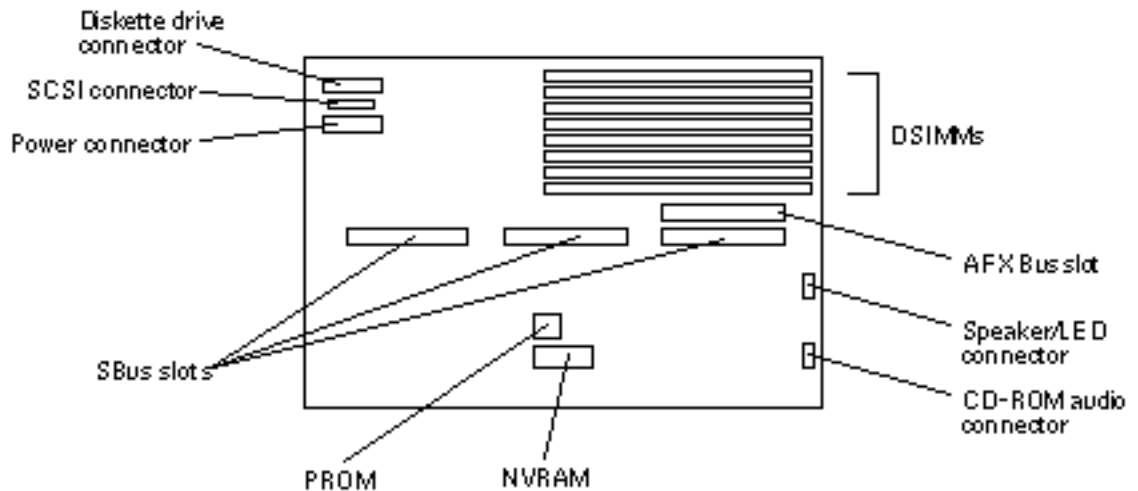


Figure 10-1 SPARCstation 5 System Board

Replaceable System Board Components

The following are the system board replaceable components:

- DSIMMs
- S24 card
- SBus cards
- NVRAM
- System board

Chapter 11 describes how to remove and replace these components.

System Board and Component Replacement

This chapter describes how to remove, replace, and configure the SPARCstation 5 system board and its replaceable parts.

SBus Cards

The system board has three locations for SBus cards (see Figure 11-1).

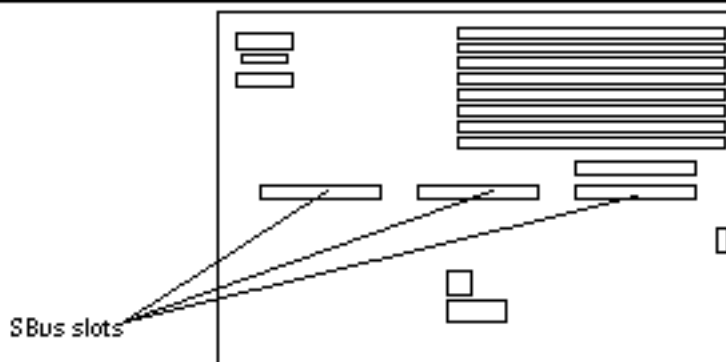


Figure 11-1 SBus Slot Locations

Note - An SBus card extractor is included with all SBus card FRUs. You must remove the extractor from the replacement card and install it on the defective card. Then use the SBus card extractor to remove the defective card from the system unit. If you need to remove an SBus card temporarily, and you do not have a replacement card, try to find an extractor from some other source. If an extractor is not available, place both thumbs beneath the corners of the card where it connects to the system board. Carefully push upward with your thumbs until the card disconnects from the system board.

Removing an SBus Card

1. **Shut down and power off the system.**
See "Powering Off the System" on page 43.
2. **Remove the cover and attach a wrist strap.**
See Chapter 7.
3. **Push the card retainers back from the edge of the SBus card.**
See Figure 11-2.

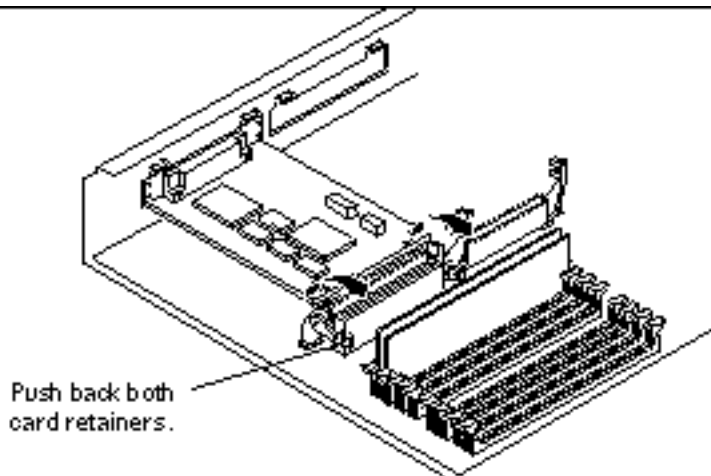


Figure 11-2 Opening the SBus Card Retainers

4. **Remove the SBus card extractor from the replacement SBus card:**

- a. **Bend one leg of the extractor slightly to the outside until the hook clears the hole in the SBus card.**
See Figure 11-3.
- b. **Remove the other side of the extractor, which should come out easily without bending it.**
Place the replacement SBus card on an antistatic surface.

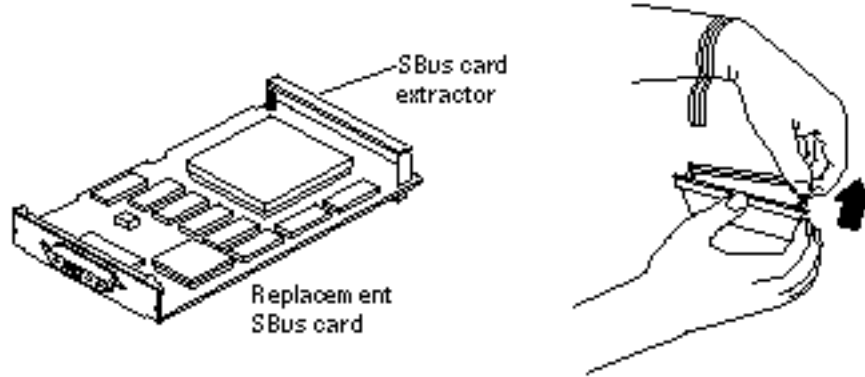


Figure 11-3 Removing the Extractor From the SBus Card

5. **Insert the legs of the card extractor into the holes on the faulty SBus card.**
Use two extractors for a double-width card. See Figure 11-4.

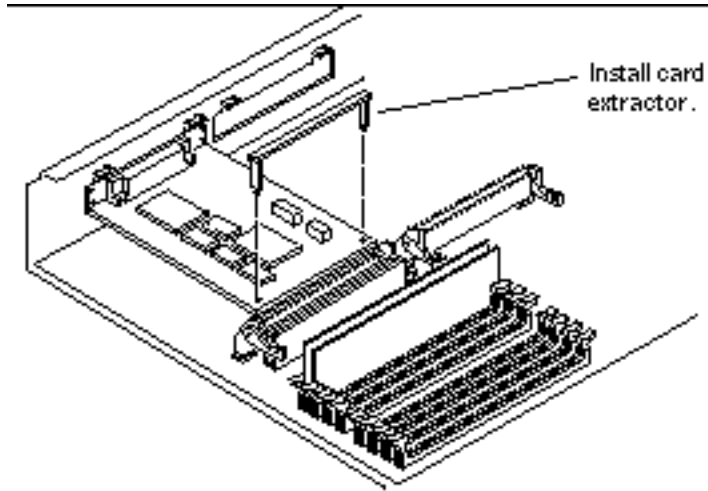


Figure 11-4 Installing the SBus Card Extractor

6. **Hold both ends of the card extractor. Pull upward slowly until the connector is detached from the slot.**

See Figure 11-5 and Figure 11-6.

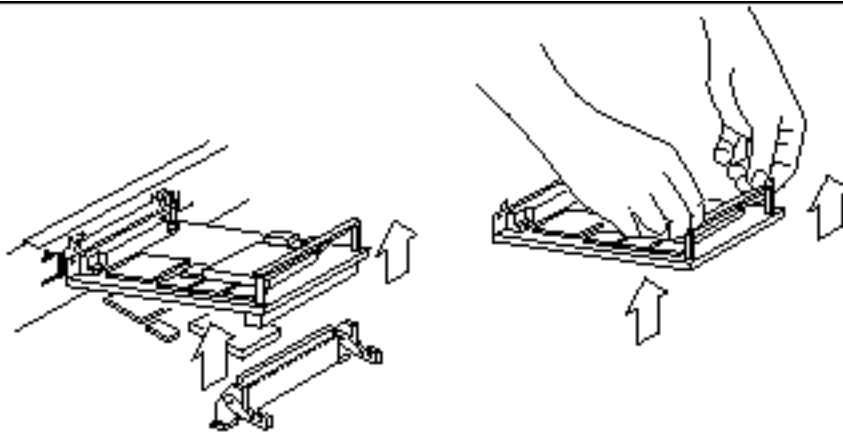


Figure 11-5 Removing a Single-Width SBus Card

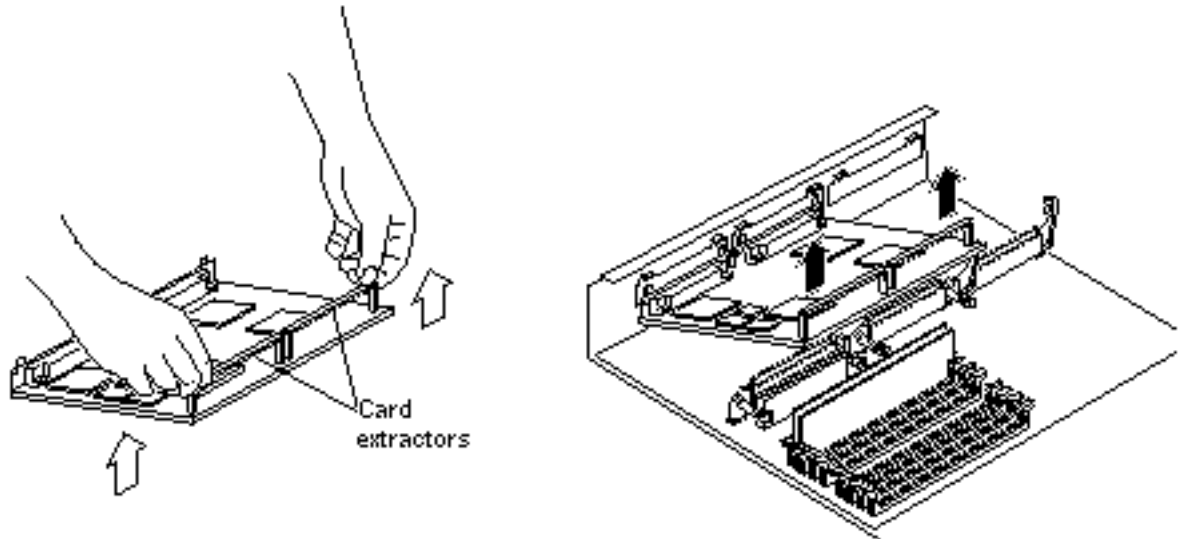


Figure 11-6 Removing a Double-Width SBus Card

7. **Remove the card extractor from the SBus card:**
 - a. **Bend one leg of the extractor slightly to the outside until the hook clears the hole in the SBus card.**
See Figure 11-5.
 - b. **Remove the other side of the extractor, which should come out easily without bending.**
8. **Place the faulty SBus card on an antistatic surface.**
Do not confuse it with the replacement card.

Replacing an SBus Card

1. **If required for your card, set the jumpers or switches on the replacement card.**
See the manual for your SBus product.
2. **Push back the two card retainers on the SBus connector (if necessary).**
See Figure 11-6.

3. **Holding the card at an angle to the rear panel, insert the tabs on the card backplate into the corresponding slots on the rear panel.**

See Figure 11-7.

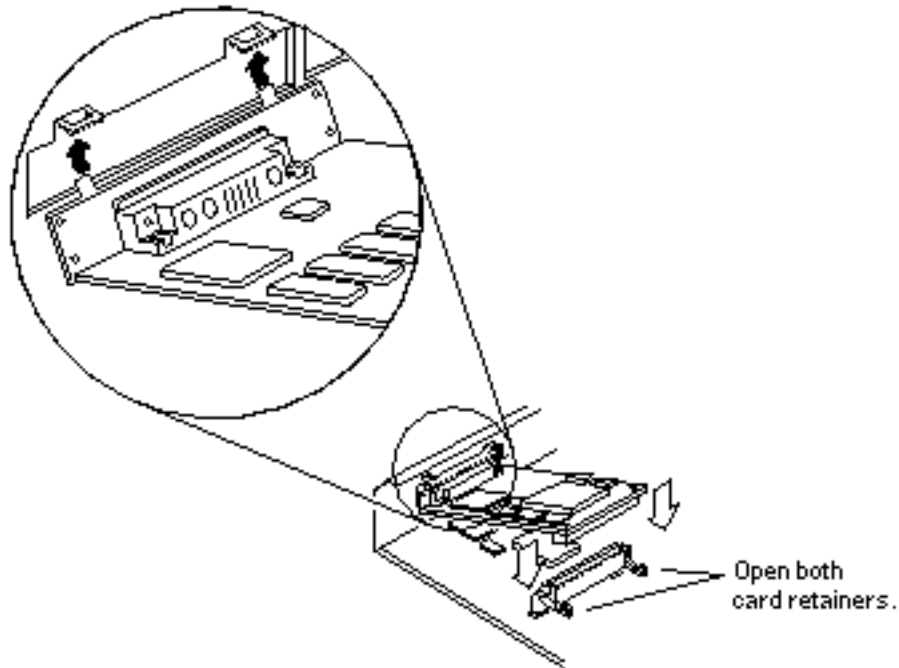


Figure 11-7 Inserting the SBus Card

4. **Carefully align the SBus card connector with the socket on the system board. Press the corners of the card to push the connector into the socket.**

See Figure 11-7.



Caution - Do not force the card. Align the card connector and socket properly or you may damage the pins on the card.

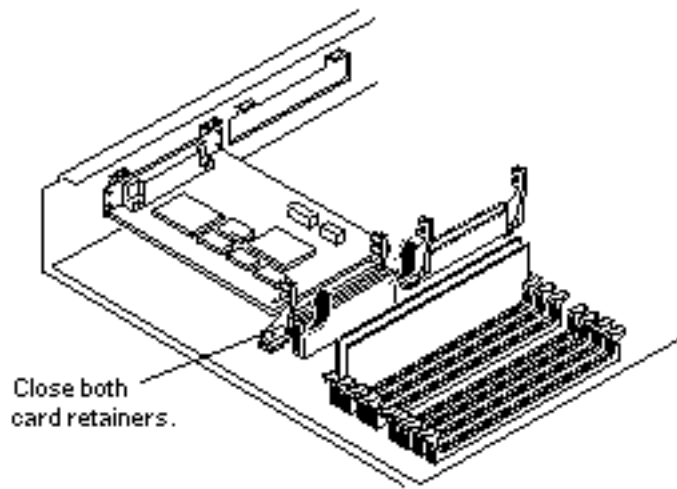


Figure 11-8 Closing the SBus Card Retainers

5. **Push the card retainers forward to clamp down the SBus card.**
See Figure 11-8.
6. **Detach the wrist strap and replace the cover.**
See Chapter 7.
7. **Power on the system.**
See “Powering On the System” on page 46.

S24 Frame Buffer Card

The S24 frame buffer card plugs into the AFX Bus slot shown in Figure 11-9.

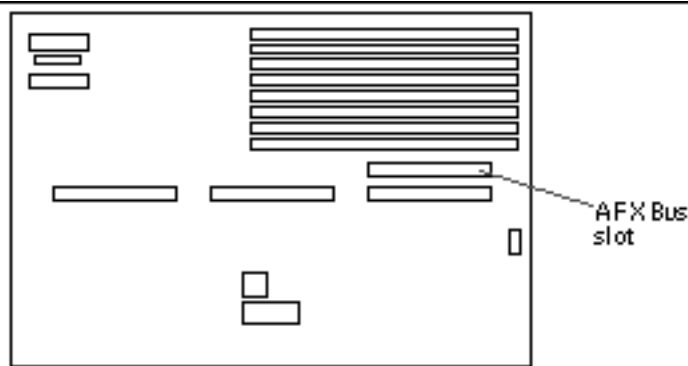


Figure 11-9 AFX Bus Slot

Note - A card extractor is included with all S24 card FRUs. You must install the card extractor on the defective card to remove the card from the system unit. If you need to remove the S24 card temporarily, and you do not have a replacement card, try to find an extractor from some other source. If an extractor is not available, push the card retainers back and place both thumbs beneath the corners of the card where it connects to the system board. Carefully push upward with your thumbs, applying equal pressure to both corners, until the card disconnects from the system board.

Removing an S24 Frame Buffer Card

- 1. Shut down and power off the system.**
See "Powering Off the System" on page 43.
- 2. Remove the cover and attach a wrist strap.**
See Chapter 7.
- 3. Unpack the S24 replacement card and locate the card extractor that comes with it.**
Handling the replacement card only by its edges, place it on an antistatic surface. The card's protective packaging makes a good antistatic surface. See Figure 11-10 to identify the card extractor.
- 4. Locate the defective S24 card and push the card retainers back from the edge of the card.**
See Figure 11-10.
- 5. Insert the legs of the card extractor into the holes on the faulty S24 card.**
See Figure 11-10.

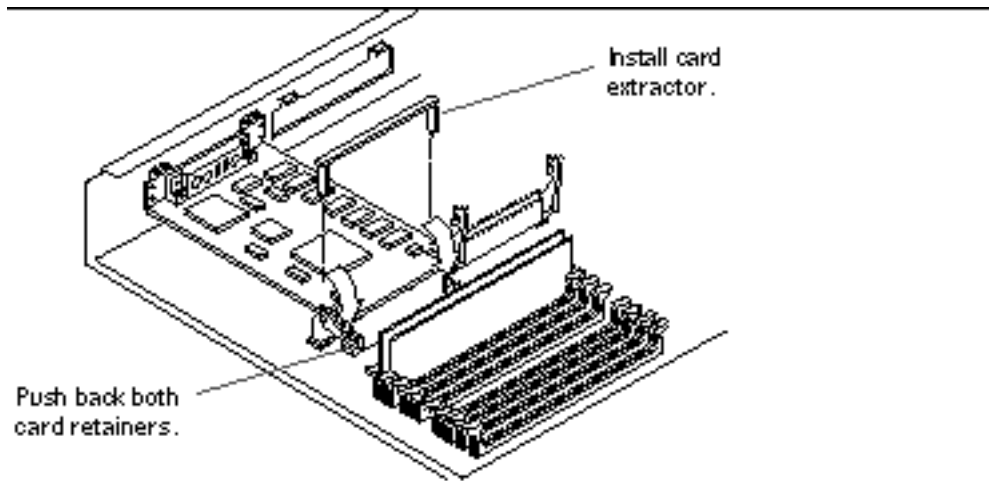


Figure 11-10 Opening the Card Retainers

- 6. Hold both ends of the card extractor. Pull upward slowly and evenly until the connector is detached from the slot.**

See Figure 11-11.

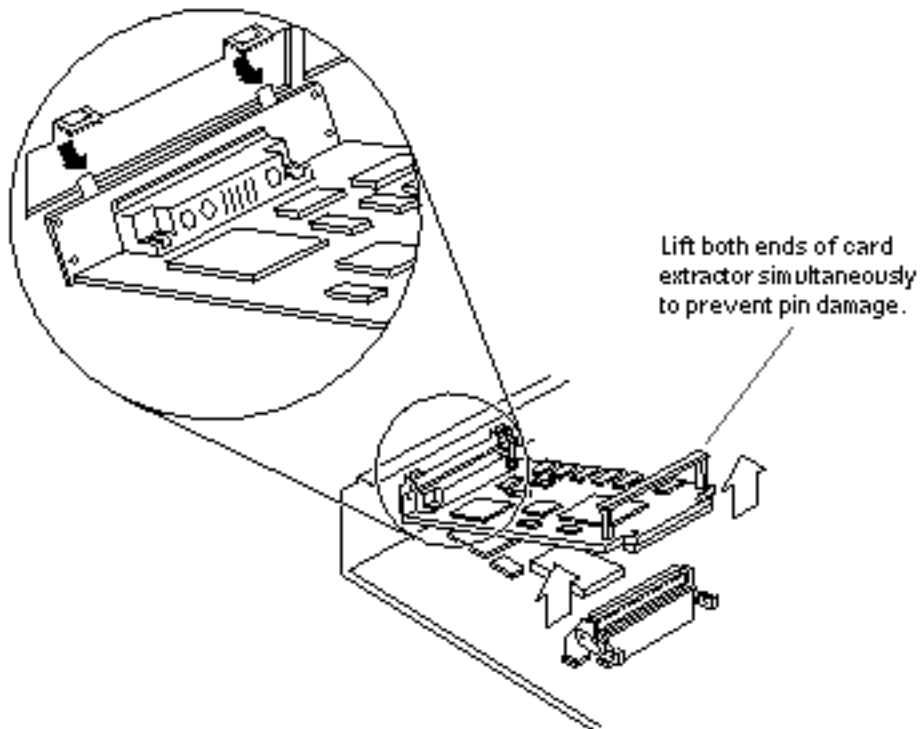


Figure 11-11 Removing an S24 Frame Buffer Card

- 7. Continue to lift the extractor while lowering the opposite end of the card to free it from the back panel.**

Place the faulty S24 card on an antistatic surface.

Replacing an S24 Frame Buffer Card

- 1. Locate the AFX Bus slot on the system board.**
See Figure 11-10.
- 2. Push back the two card retainers on the AFX Bus slot (if necessary).**
See Figure 11-10.

Note - Before installing the S24 card, inspect the AFX Bus slot for bent pins. Do not install the S24 card if a pin in the slot is bent. If necessary, straighten bent pins with needlenose pliers.

3. **Holding the replacement S24 card at an angle to the rear panel, insert the tabs on the card backplate into the corresponding slots on the rear panel.**

See Figure 11-12.

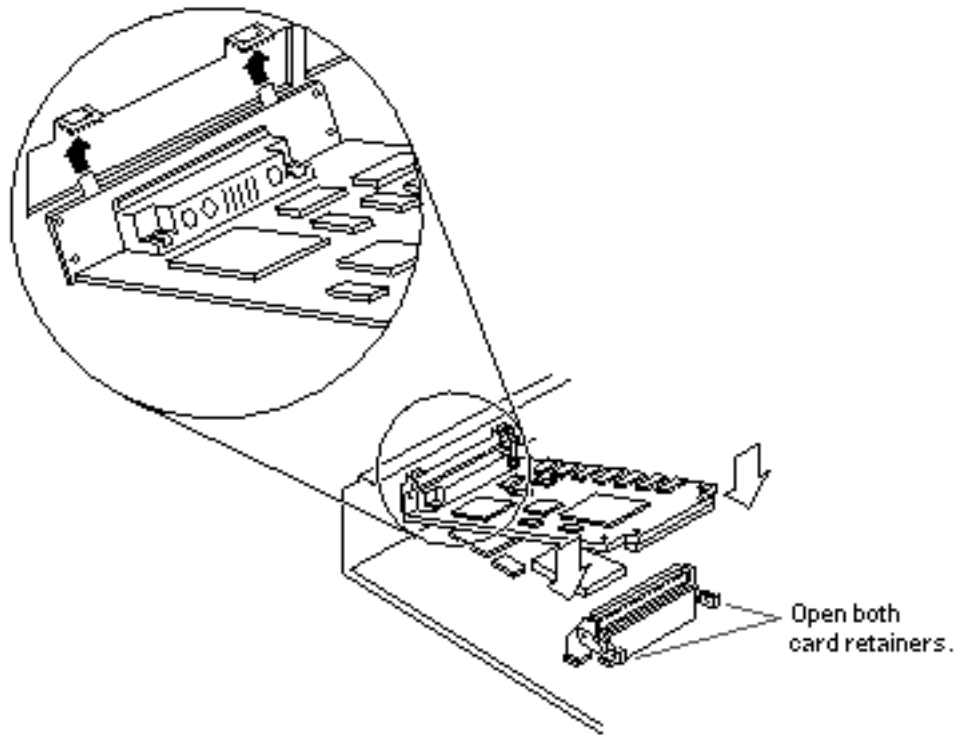


Figure 11-12 Inserting the S24 Frame Buffer Card

4. **Carefully align the S24 card connector with the AFX Bus slot on the system board. Press evenly on the corners of the card to push the connector into the socket.**

See Figure 11-13.



Caution - Do not force the card. Align the card connector and slot properly or you may damage the pins on the card.

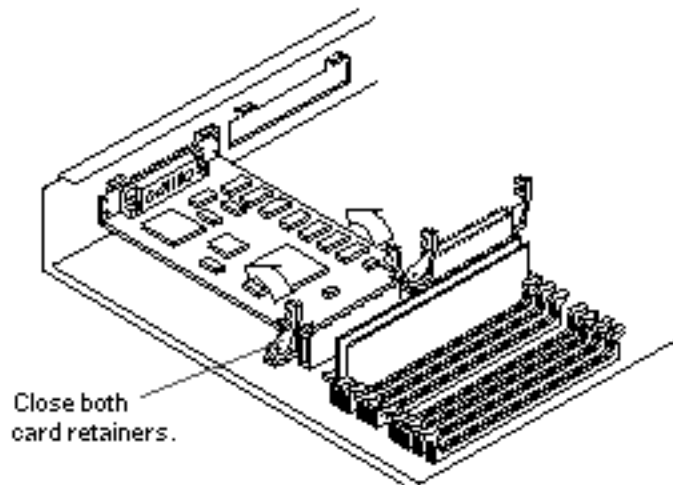


Figure 11-13 Closing the Card Retainers

5. **Push the card retainers forward to clamp down the S24 card.**
See Figure 11-13.
6. **Detach the wrist strap and replace the cover.**
See Chapter 7.
7. **Power on the system.**
See "Powering On the System" on page 46.

DSIMMs

This section describes the procedures for removing and replacing faulty DSIMMs. To determine the location of a faulty DSIMM, see “Determining Faulty DSIMM Locations” on page 33.

SPARCstation 5 system units come equipped with a minimum of 16 Mbytes of dynamic random access memory (DRAM), expandable to 256 Mbytes. Physically, DRAM chips are grouped in single in-line memory modules (DSIMMs) that plug into eight DSIMM slots located on the system unit’s main logic board.

The SPARCstation 5 system accepts industry-standard JEDEC SIMMs, which are widely available from a number of different suppliers. Sun Microsystems offers two different types of DSIMMs for this system—an 8-Mbyte DSIMM and a 32-Mbyte DSIMM. The maximum memory configuration is 256 Mbytes using eight 32-Mbyte DSIMMs.



Caution - DSIMMs installed in your system must have been specifically designed to operate in it. *Do not* remove DSIMMs from a different Sun system and install them in a SPARCstation 5 system.



Caution - A DSIMM is made of delicate electronic components that are extremely sensitive to static electricity. Ordinary amounts of static from your clothes or work environment can destroy a DSIMM. Handle a DSIMM only by the edges. Do not touch the components on the DSIMM or any metal parts. Wear a grounding strap before unpacking and during handling of a DSIMM. *Do not disconnect the power cord from the system unit’s power receptacle. The power cord should be left plugged in to a grounded power outlet.* This connection provides the ground path necessary so that you can safely remove and install DSIMMs and other components. Be sure that the system unit power is in Standby mode. Check the green light-emitting diode (LED) at the front of the chassis to be sure it is not lit.

Removing a DSIMM

- 1. Shut down and power off the system.**
See “Powering Off the System” on page 43.
- 2. Remove the cover and attach a wrist strap.**
See Chapter 7.
- 3. Place an antistatic surface next to the system.**

4. Locate the slot for the DSIMM you need to remove.

See Figure 11-14.

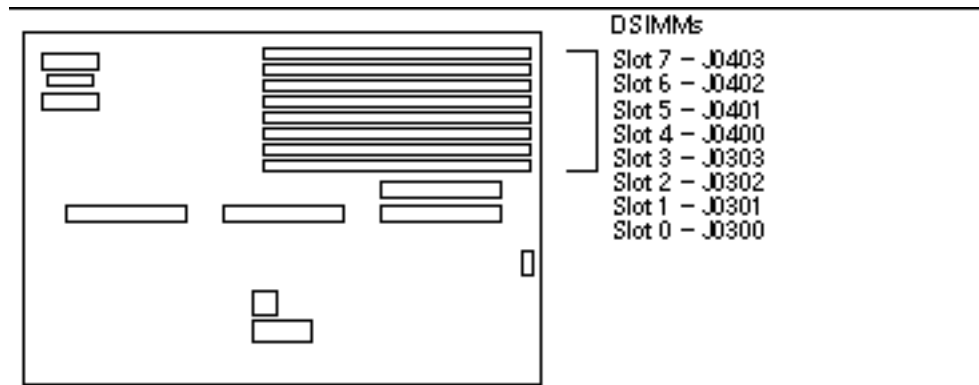


Figure 11-14 DSIMM Slot Locations on the System Board

5. To eject the faulty DSIMM, press down on the ejection levers on both sides of the DSIMM connector (see Figure 11-15).

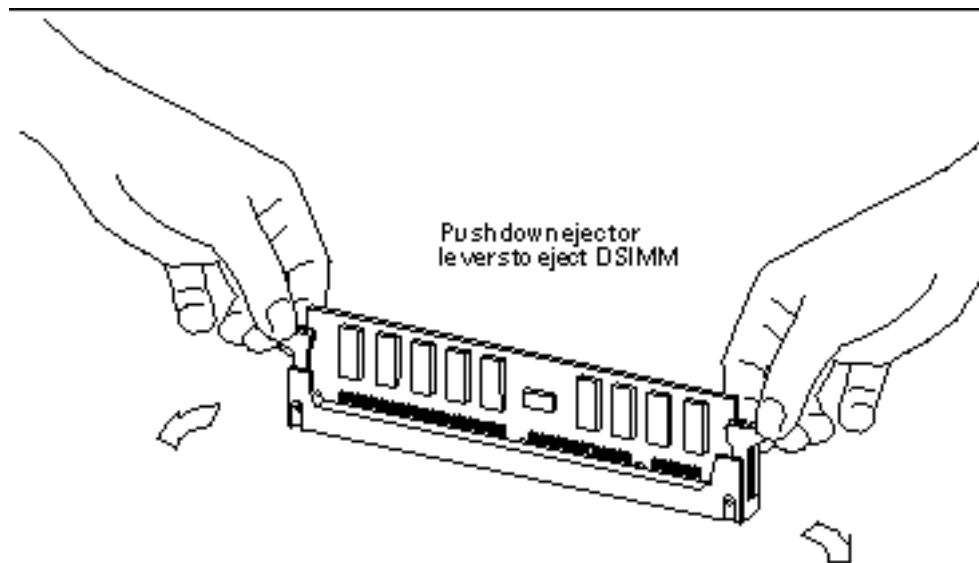


Figure 11-15 Ejecting a DSIMM

6. **Holding the DSIMM by its edges, remove it from the slot and place it on an antistatic surface.**

Replacing a DSIMM

1. **Carefully remove the new DSIMM from its protective packaging and place it on an antistatic surface.**

The bag that the DSIMM is packed in makes a good antistatic surface.

2. **Choose any available slot and unlock (press down) the ejector levers at both ends of the connector.**

3. **Align the DSIMM with the slot.**

Hold the DSIMM by its edges and orient it so that the two notches at the bottom of the DSIMM line up with the two tabs in the DSIMM connector. See Figure 11-16.

Note - Slot J0300 (the one closest to the rear panel) must always contain a DSIMM. If you combine different capacity DSIMMs in the same system, this slot must contain the highest capacity DSIMM.

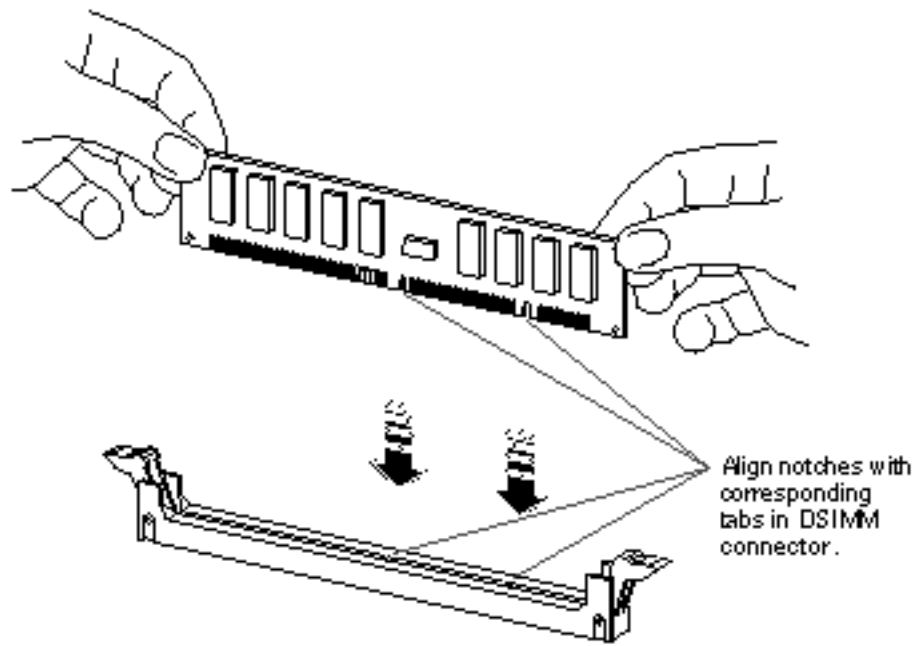


Figure 11-16 Orienting a DSIMM

- 4. Place your thumbs as shown in Figure 11-17 and push the DSIMM firmly into its connector.**
- 5. To lock the DSIMM in place, push both ejector levers into the upright position.**

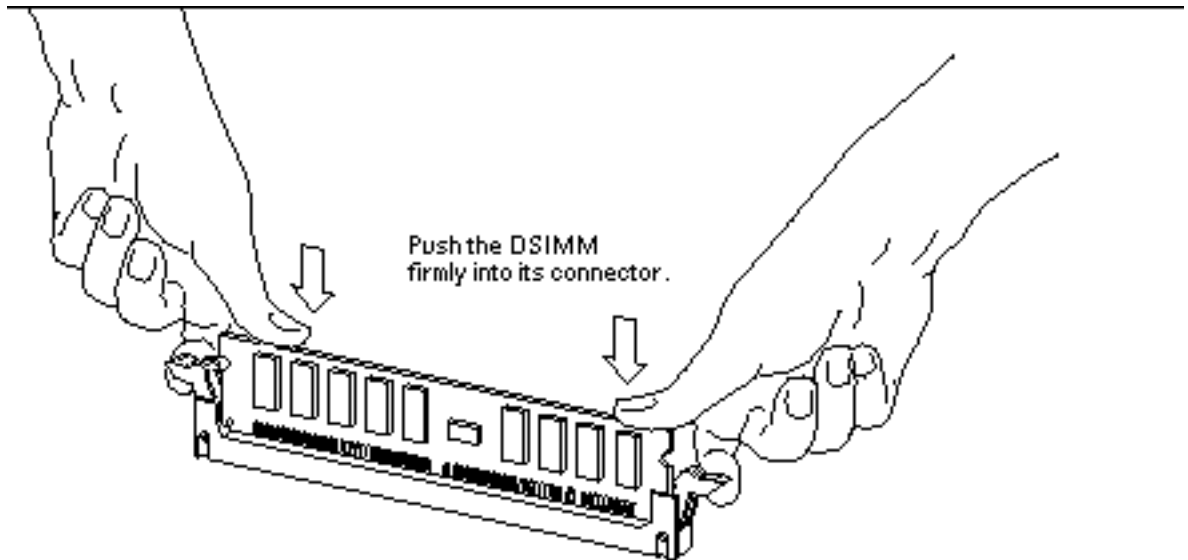


Figure 11-17 Installing a DSIMM

6. Detach the wrist strap and replace the cover.

See Chapter 7.

7. Power on the system.

See “Powering On the System” on page 46.

8. Watch for the system banner to verify that the new memory is recognized by the system.

The system banner appears at the top of the screen a few seconds after you power on the system. Check the amount of memory listed in the system banner to verify that the new memory is recognized by the system.

System Board

Removing the System Board

Do tasks in the listed order:

- Shut down and power off the system
 - Remove the cover and attach a wrist strap
 - Remove all SBus cards.
 - Remove all DSIMMs
 - Remove the NVRAM
 - Remove the system board
- 1. Shut down and power off the system.**
See “Powering Off the System” on page 43.
 - 2. Detach all external cables from the rear panel except the power cord.**
 - 3. Remove the cover and attach a wrist strap.**
See Chapter 7.
 - 4. Remove all SBus cards.**
See “Removing an SBus Card” on page 102.
 - 5. Remove all DSIMMs.**
See “Removing a DSIMM” on page 113.
 - 6. Remove the NVRAM.**
See “Removing the NVRAM Chip” on page 124.
 - 7. Unplug the DC power, SCSI data, diskette data, speaker/LED, and CD-ROM audio cables from the system board (See Figure 11-18).**
You may need to remove an SBus card to access the audio connector.
See “Removing an SBus Card” on page 102.

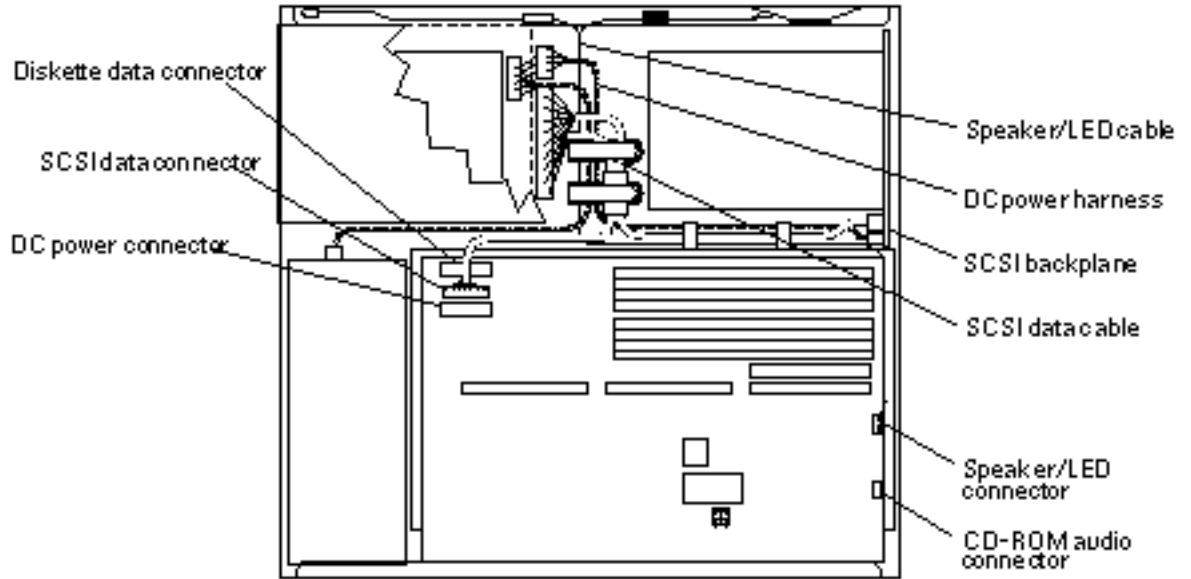


Figure 11-18 System Board Cable Connections

8. Loosen the two captive Phillips-head screws that secure the system board to the rear of the chassis.

See Figure 11-19.

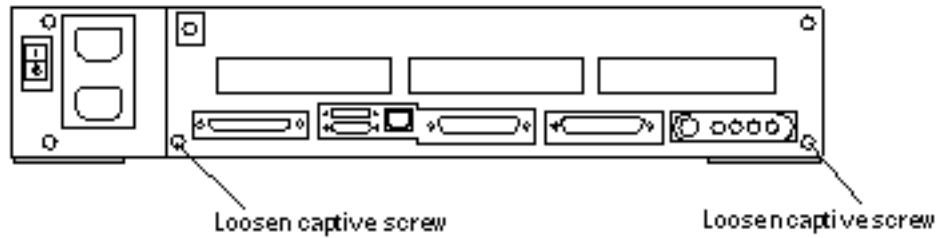


Figure 11-19 System Board Captive Screws

9. Pull the board out of the back of the chassis until it clears the plastic card guide.
See Figure 11-20.
10. Place the board on an antistatic surface.

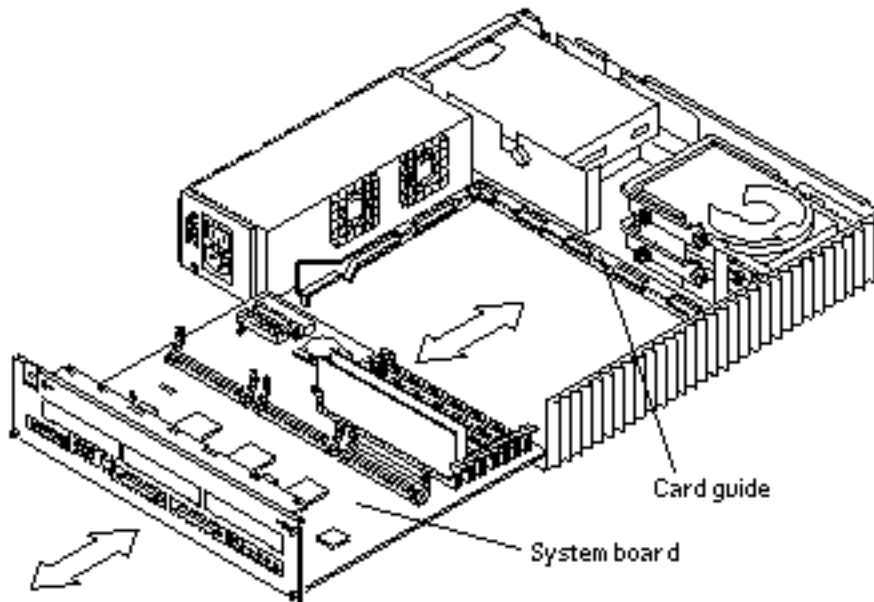


Figure 11-20 Removing the System Board

Replacing the System Board

The serial port jumpers are preset for RS423 mode. See "Setting Jumpers" on page 122 if you need to change the jumpers on the system board to RS232.

1. Install the new system board.

See Figure 11-21.

- a. Insert the front edge of the board (the edge with the DSIMMs) into the card guide.
- b. Lift the rear panel of the board slightly to make sure that the "foot" on the underside of the board doesn't catch the metal edge of the chassis.
- c. Slide the board along the card guide until it is fully inserted.

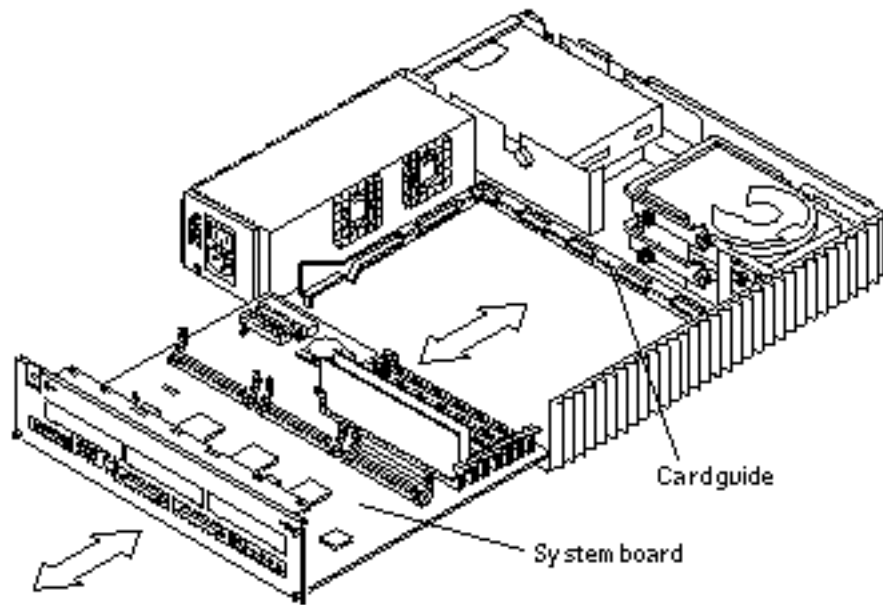


Figure 11-21 Installing the System Board

2. **Tighten the two captive Phillips-head screws that secure the board to the rear of the chassis.**

Do not overtighten these screws. See Figure 11-22.

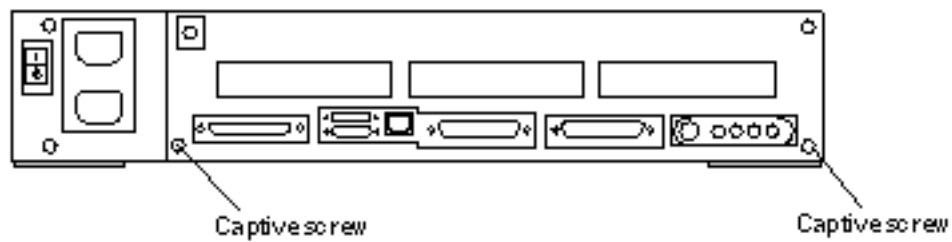


Figure 11-22 System Board Captive Screws

3. **Reconnect the DC power, SCSI data, diskette data, speaker/LED, and CD-ROM audio cables to the system board.**
See Figure 11-18.
4. **Take the following components that you removed from the defective system board and install them on the new system board:**
 - a. **NVRAM**
See "Replacing the NVRAM Chip" on page 125.
 - b. **DSIMMs**
See "Replacing a DSIMM" on page 115. Install the DSIMMs in the same locations on the new system board.
 - c. **SBus cards**
See "Replacing an SBus Card" on page 105. Install the SBus cards in the same locations on the new system board.
5. **Detach the wrist strap and replace the cover.**
See Chapter 7.
6. **Reconnect all external cables to the rear panel.**
7. **Power on the system.**
See "Powering On the System" on page 46.

Setting Jumpers

There are two serial port jumpers on the system board. The jumpers are factory-set to RS423 mode (position B in Figure 11-23). The ports can be reset to RS232 mode (position A) for connection to an X.25 network in Europe or Australia.

To change the jumper settings from RS423 mode to RS232 mode:

1. **Shut down and power off the system.**
See "Powering Off the System" on page 43.
2. **Remove the cover and attach a wrist strap.**
See Chapter 7.
3. **Use needlenose pliers to move both serial port jumpers from position B to position A.**
See Figure 11-23.

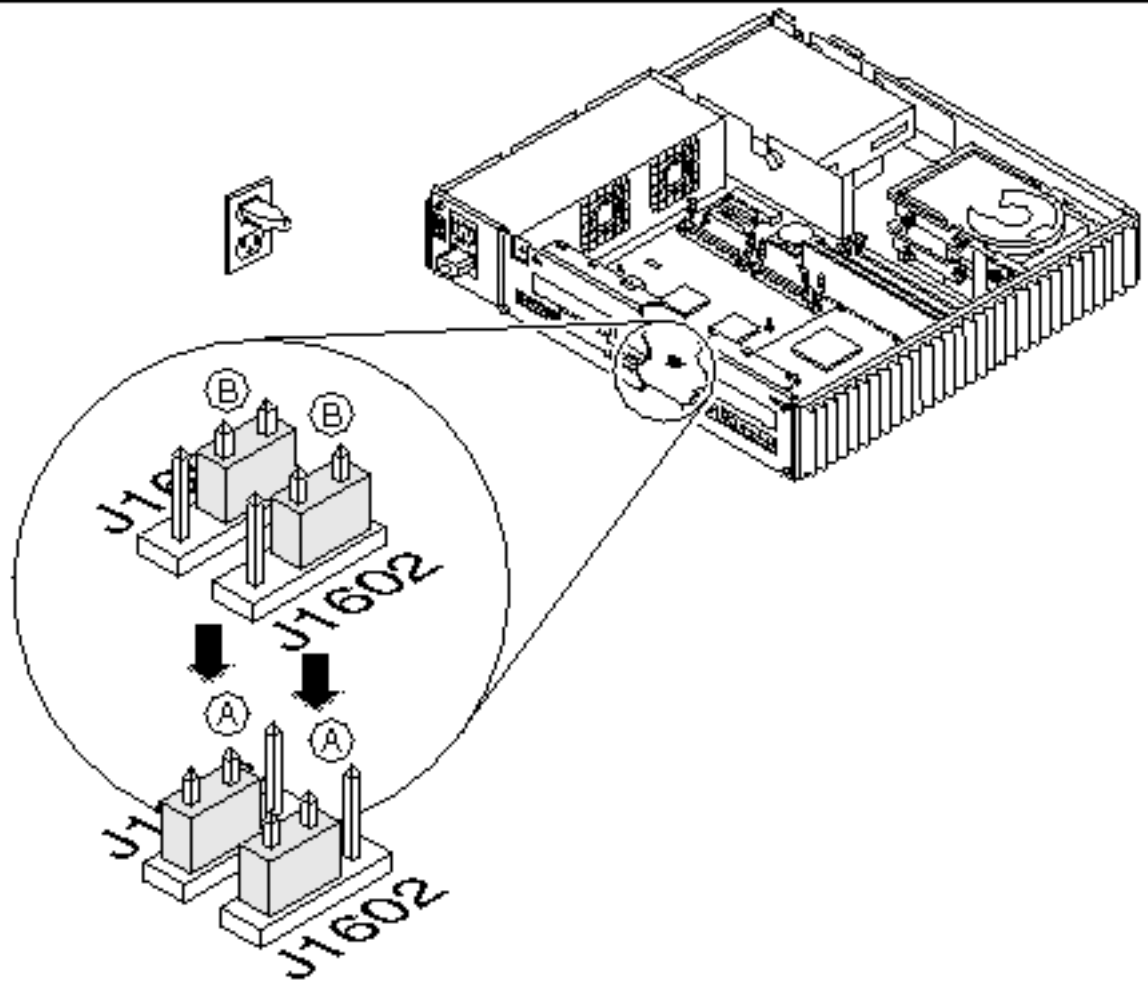


Figure 11-23 Setting the Serial Port Jumpers

NVRAM

Removing the NVRAM Chip

- 1. Shut down and power off the system.**
See “Powering Off the System” on page 43.
- 2. Remove the cover and attach a wrist strap.**
See Chapter 7.
- 3. If an SBus card is installed in the center SBus slot, remove it.**
See “Removing an SBus Card” on page 102.
- 4. Locate the NVRAM chip on the system board.**
See Figure 11-24.

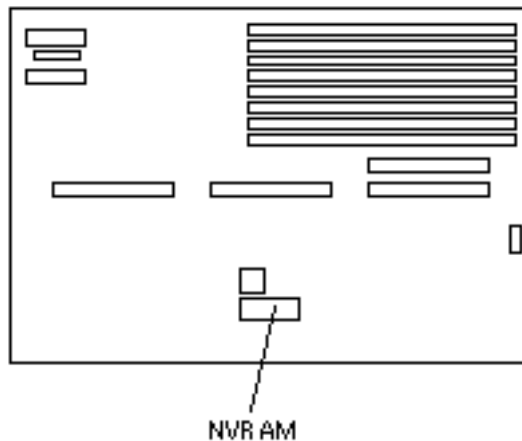


Figure 11-24 Locating the NVRAM

- 5. Hold the NVRAM chip carrier on both ends and lift it straight up to remove it.**
Gently wiggle the chip carrier as necessary.
- 6. Put the NVRAM in its chip carrier on an antistatic surface.**

Replacing the NVRAM Chip

- 1. Locate the NVRAM location on the system board.**
See Figure 11-24.
- 2. Carefully align the pins and insert the NVRAM chip in the socket; make certain that the notches on the socket and chip are aligned properly.**
The carrier is keyed so that the NVRAM can be installed only one way.
- 3. Push the NVRAM chip into the carrier until it sits tightly in the socket.**
- 4. Reinstall the SBus card in the center SBus slot (if applicable).**
See “Replacing an SBus Card” on page 105.
- 5. Detach the wrist strap and replace the cover.**
See Chapter 7.
- 6. Power on the system.**
See “Powering On the System” on page 46.

Illustrated Parts Breakdown

This chapter provides an illustrated parts breakdown (IPB) of the major parts that comprise the system, and a list of customer replaceable units (CRUs) and their part numbers.

Illustrations of Selected CRUs

Figure 12-1 through Figure 12-4 illustrate selected CRUs for the SPARCstation 5 system.

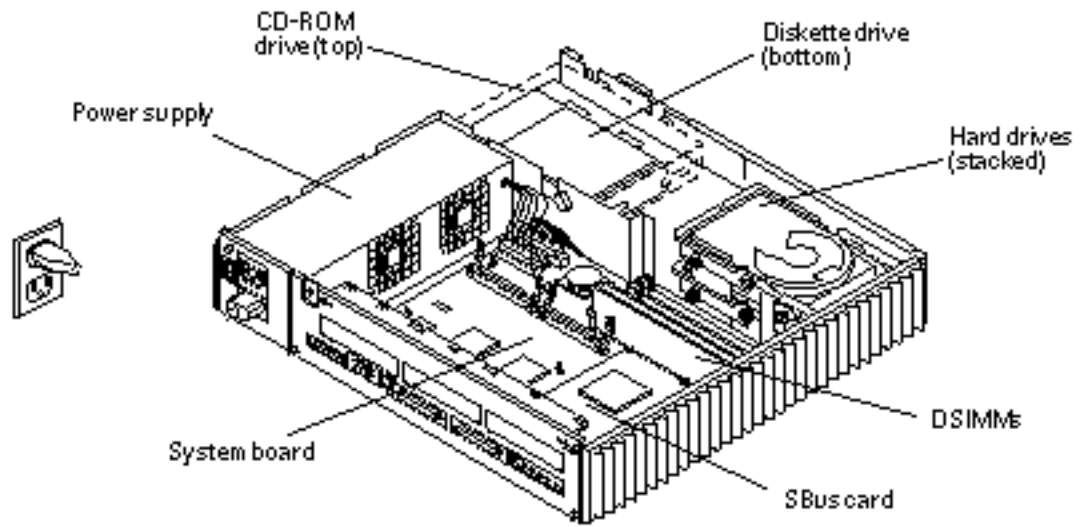


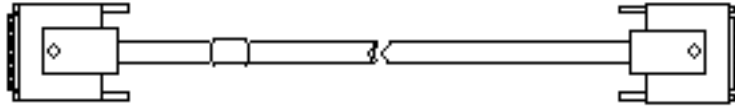
Figure 12-1 Selected CRUs—System Unit



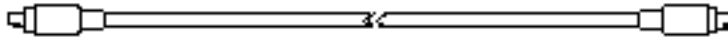
AC power cord



Twisted-pair Ethernet cable



13W3 video cable



Keyboard cable

Figure 12-2 Standard External Cables

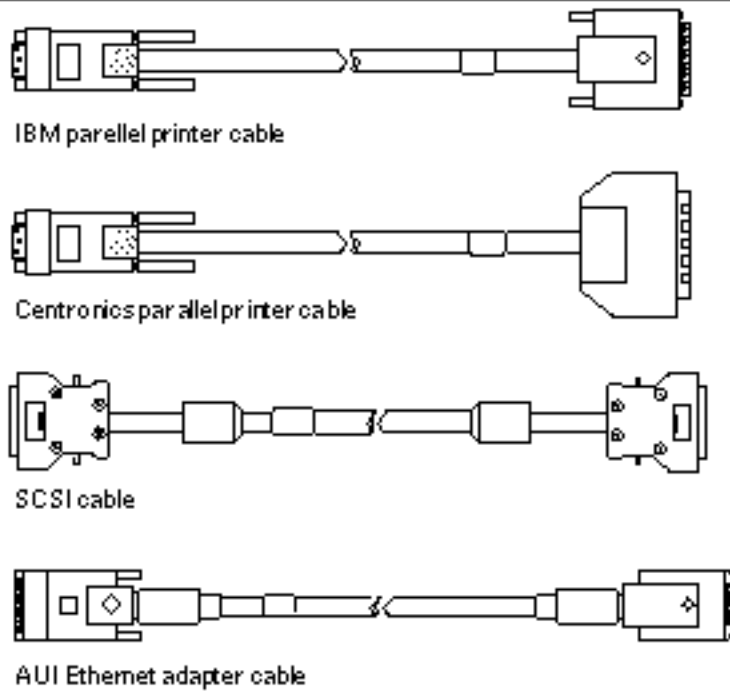


Figure 12-3 Optional External Cables

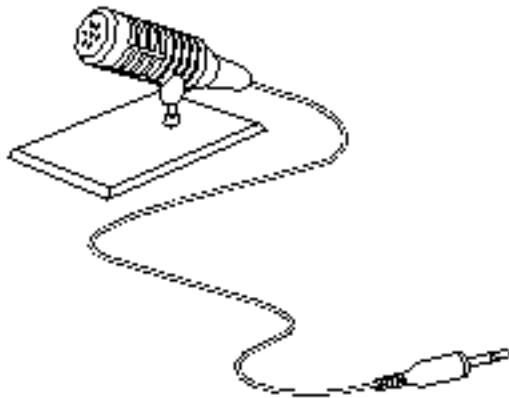


Figure 12-4 Microphone and Cable

Replacement Parts List

Table 12-1 provides the part numbers for customer replaceable units. Table 12-2 provides part numbers for miscellaneous items.

Note - Although the part numbers are correct as of the publication date of this document, they are subject to change. Consult your authorized Sun sales representative or service provider to confirm part numbers before you order new or replacement parts.

TABLE 12-1 Part Number List—Customer Replaceable Units

Description	Sun Part No.
8-Mbyte DSIMM Module	501-2470
32-Mbyte DSIMM Module	501-2471
NVRAM/TOD	525-1369
Main Logic Board (0 Mbyte, 75 MHz)	501-2286
Main Logic Board (0 Mbyte, 85 MHz)	501-2572
635-Mbyte Internal Disk Drive	540-2443
7-Gbyte Internal Disk Drive	540-2560
Internal CD-ROM Drive	540-2500
9.5-inch Internal Diskette Drive	370-1419
160-Watt Power supply	300-1215
Internal Speaker Assembly	370-1579
ESB Backplane	501-2462
CD-ROM Audio Cable (Internal)	530-2079
Diskette Drive Cable (Internal)	530-2067
Speaker/LED Cable (Internal)	530-2080

TABLE 12-1 Part Number List—Customer Replaceable Units *(continued)*

Description	Sun Part No.
6CSI Cable (Internal)	530-2053
DC Power Harness	530-2066
18Mbyte TGX Frame Buffer Card	501-2325
49Mbyte TGX Frame Buffer Card	501-2253
304 Frame Buffer Card	501-2337
Type-5 Mouse and Pad	370-1398
Keyboard Cable	530-1442
Twisted-Pair Ethernet Cable	530-1871
23W3 Video Cable	530-1870
IBM Parallel Printer Cable (DB25 style)	530-1861
Centronics Parallel Printer Cable	530-1857
27UI Ethernet Adapter Cable	530-2021
38nMicrophone II	370-1678

TABLE 12-2 Part Number List—Miscellaneous Items

Description	Sun Part No.
Wrist Strap	250-1007
Antistatic Mat with Sun Logo	250-1088
3 Disposable Antistatic Mat	330-1145

System Specifications

This appendix contains system specifications, including physical specifications, input power requirements, and environmental requirements.

Physical Specifications

Table A-1 lists the physical specifications for the system unit, keyboard, and optical mouse.

TABLE A-1 Physical Specifications

Component	Height inches (mm)	Width inches (mm)	Depth inches (mm)	Net Weight lbs (kg)
System Unit	3.07 (78)	16.40 (417)	16.10 (409)	27.0 (12.7)
Keyboard	1.7 (44)	20.1 (510)	7.2 (182)	3.5 (1.6)
Mouse	2.0 (50)	4.0 (100)	3.0 (80)	0.3 (0.14)

Input Power Requirements

Table A-2 lists the input power requirements for the system unit.

TABLE A-2 Input Power Requirements and Power Dissipation

Parameter	Specification
Nominal Frequencies	50 Hz or 60 Hz nominal
Nominal Voltage Range	100-120 Vac or 200-240 Vac (100-240 Vac Auto)
Maximum Current AC RMS ^{1*}	2 A @ 100-120 Vac, 1 A @ 200-240 Vac
AC Operating Range	87-264 Vrms, 47-63 Hz
Maximum VA Rating	200 VA
Maximum Power Consumption	200 Watts
Maximum Heat Output	683 BTU/hr

1. Maximum input current with accessory connected to accessory outlet is 6A.

Environmental Requirements

Table A-3 lists the environmental requirements for both operating and non-operating environments.

TABLE A-3 Environmental Requirements

Operating Environment:	
Temperature range	0°C to 40°C (32°F to 104°F) at 20%-70% Relative Humidity (RH), noncondensing—IEC 68-2-1, 68-2-2
Humidity	5% to 95% RH, noncondensing—IEC 68-2-2, 68-2-3

TABLE A-3 Environmental Requirements *(continued)*

Operating Environment:	
Altitude range	0 to 3000 meters (0 to 9840 feet), 10°C to 40°C (50° F to 104°F)—IEC 68-2-40, 68-2-41
Vibration	0.25 gravity (g) peak, 5-500 Hz, 3 perpendicular axes— IEC 68-2-6
Shock	5 g peak, 11 milliseconds half-sine pulse—IEC 68-2-27

Non-Operating Environment:	
Temperature range	-40°C to 75°C (-40°F to 167°F) at 20%–70% RH, noncondensing—IEC 68-2-1, 68-2-2
Humidity	95% RH, noncondensing—IEC 68-2-2, 68-2-3
Vibration	1 g peak, 5-500 Hz, 3 perpendicular axes—IEC 68-2-6
Shock	30 g peak, 11 milliseconds half-sine pulse— IEC 68-2-27e

SPARCstation 5 Input/Output Connectors

This appendix contains pinouts and illustrations of the SPARCstation 5 system input/output (I/O) connectors. The following connectors are described.

- “SCSI Connector (External)” on page 137
- “Parallel Port Micro-D Connector” on page 139
- “Attachment Unit Interface (AUI) Micro-D Connector” on page 140
- “Twisted-Pair Ethernet Connector” on page 141
- “Serial Connector Ports A and B” on page 141
- “Keyboard/Mouse Connector” on page 142
- “Audio Ports” on page 143
- “13W3 Video Connector” on page 145

SCSI Connector (External)

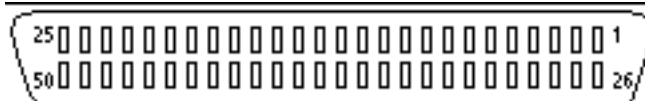


Figure B-1 External SCSI Connector

TABLE B-1 Pinout Signals¹ for External SCSI Connector

Description	Description	Description
Ground	Ground	Ground
Ground	Ground	5Vmpower
Ground	Ground	Ground
Ground	Ground	Ground
Ground	Ground	Attention
Ground	Ground	Ground
Ground	Ground	Busy
Ground	Data 0	Acknowledge
Ground	Data 1	Reset
Ground	Data 2	Message
Ground	Data 3	Select
Ground	Data 4	Control data
N/C	Data 5	Request
Ground	Data 6	Direction
Ground	Data 7	
Ground	Parity	
Ground	Ground	
Ground	Ground	

¹ 1. All signals are active low.

Parallel Port Micro-D Connector

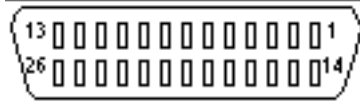


Figure B-2 Parallel Port Micro-D Connector

TABLE B-2 Pinout for Parallel Port Micro-D Connector

Pin	Description	Pin	Description
1	Strobe_out_l	14	Auto_feed_out_l
2	Data[0]	15	Errpr_in_l
3	Data[1]	16	Init_out_l
4	Data[2]	17	Select_in_l
5	Data[3]	18	Ground
6	Data[4]	19	Ground
7	Data[5]	20	Ground
8	Data[6]	21	Ground
9	Data[7]	22	Ground
10	Ack_out_l	23	Ground
11	Busy_out_l	24	Ground
12	Pe_in	25	Ground
13	Select_out	26	Ground

Attachment Unit Interface (AUI) Micro-D Connector

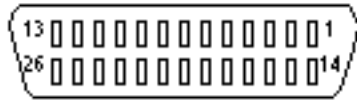


Figure B-3 Attachment Unit Interface (AUI) Micro-D Connector

TABLE B-3 Pinout for Attachment Unit Interface (AUI) Micro-D Connector

Pin	Description	Pin	Description
1	Transmit -	14	Transmit +
2	Receive +	15	Receive -
3	Collision -	16	Collision +
4	Power	17	Ground
5	N/C	18	N/C
6	N/C	19	N/C
7	N/C	20	N/C
8	N/C	21	N/C
9	N/C	22	N/C
10	N/C	23	Ground
11	N/C	24	Ground
12	N/C	25	N/C
13	N/C	26	Ground

Twisted-Pair Ethernet Connector

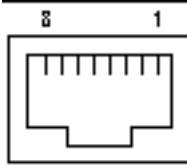


Figure B-4 Twisted-Pair Ethernet Connector

TABLE B-4 Pinout for Twisted-Pair Ethernet Connector

Pin	Description	Pin	Description
1	Transmit Data +	5	N/C
2	Transmit Data -	6	Receive Data -
3	Receive Data +	7	Presence detect
4	N/C	8	Presence detect

Serial Connector Ports A and B

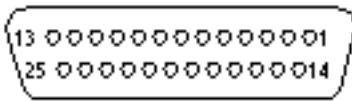


Figure B-5 Serial Connector

TABLE B-5 Pinout for Serial Connector Ports A and B

Description	Pin	Description
N/C	14	N/C
Transmit Data (TxD)	15	Transmit Clock IN (TRxC)
Receive Data (RxD)	16	N/C
Request to Send (RTS)	17	Receive Clock (RTxC)
Clear to Send (CTS)	18	N/C
Data Set Ready (DSR)	19	N/C
Signal Ground	20	Data Terminal Ready (DTR)
Data Carrier Detect (DCD)	21	N/C
N/C	22	N/C
N/C	23	N/C
N/C	24	Transmit Clock OUT (TRxC)
N/C	25	N/C
N/C		

Keyboard/Mouse Connector

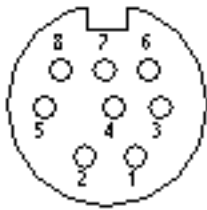


Figure B-6 Keyboard/Mouse Connector

TABLE B-6 Pinout for Keyboard/Mouse Connector

Pin	Description	Pin	Description
1	Ground	5	Keyboard Out
2	Ground	6	Keyboard In
3	+5 Vdc	7	Power Key In
4	Mouse In	8	+5 Vdc

Note - All signals are standard TTL levels. The +5V supply is fuse-protected.

Audio Ports

The SPARCstation 5 audio ports are shown in Figure B-7.

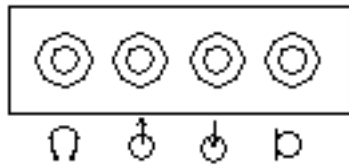


Figure B-7 SPARCstation 5 Audio Ports

Table B-7 describes the signals for the audio ports.

TABLE B-7 Signals for the SPARCstation 5 Audio Ports

	Headphone	Line-Out	Line-In	Microphone (new)
Tip	Left Channel	Left Channel	Left Channel	Left Channel
Ring (Center)	Right Channel	Right Channel	Right Channel	Right Channel
Shield	Ground	Ground	Ground	Ground

Headphone Connector



Figure B-8 Headphone Connector

This connector is used to connect a set of stereophonic headphones to the system for private listening of audio output.

Audio Line-out Connector



Figure B-9 Audio Line-out Connector

This connector is used to connect the system audio output to a stereophonic amplifier and external loudspeakers.

Audio Line-in Connector



Figure B-10 Audio Line-in Connector

This connector is used to connect external stereophonic sound sources such as a compact disc player or cassette tape player to the system.

Microphone Connector



Figure B-11 Microphone Connector

This connector is used to connect the SunMicrophone™ II (or other suitable microphone) to the system.

Note - The SPARCstation 5 microphone port accepts stereophonic input; however, the SunMicrophone II is a monophonic device. Note also that the older SunMicrophone is not compatible with the SPARCstation 5 system.

13W3 Video Connector

Figure B-12 shows a 13W3 video connector. The 13W3 connector's pin assignments and functions are described in Table B-8. The connector is built into the SBus or S24 frame buffer card.

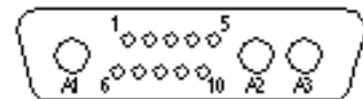


Figure B-12 SPARCstation 5 13W3 Video Connector

TABLE B-8 13W3 Video Connector Pin Assignments

Pin	Function	I/O	Level
A1	Red	O	Analog
A2	Green	O	Analog
A3	Blue	O	Analog
1	Serial Read		TTL

TABLE B-8 13W3 Video Connector Pin Assignments *(continued)*

Pin	Function	I/O	Level
2	Vert Sync	O	TTL
3	Sense <0>	I	TTL
4	Ground		GND
5	Comp Sync	O	TTL
6	Hort Sync	O	TTL
7	Serial Write		TTL
8	Sense <1>	I	TTL
9	Sense <2>	I	TTL
10	Ground		GND

SCSI Targeting

This appendix describes the SCSI targeting for the internal SCSI devices in the SPARCstation 5 system. It also describes the SCSI targeting conventions for external SCSI peripherals that you can add to the system. For complete SCSI target information about SCSI peripherals, see the installation manual that came with the SCSI peripheral.

Note - Assign each SCSI device on the SCSI chain a different SCSI target.

Each internal SCSI disk drive present in a SPARCstation 5 system is automatically assigned a SCSI target (see Table C-1 and Table C-2); these targets are only assigned if the device is present. When assigning SCSI targets to external devices, make sure that none of the external targets conflict with targets automatically assigned to the internal disk drives.

Note - SCSI termination for internal drives is provided automatically by the SCSI backplane.

Note - SCSI target 7 is reserved for the SCSI processor of the computer system or the SCSI host adapter card.

TABLE C-1 SCSI Targeting—Solaris 1.x (SunOS 4.x) Operating Systems

SCSI Device	SCSI Target
Internal disk, lower bay (SCSI target automatically assigned, if present)	3 ¹
Internal disk, upper bay (SCSI target automatically assigned, if present)	1

TABLE C-1 SCSI Targeting—Solaris 1.x (SunOS 4.x) Operating Systems *(continued)*

SCSI Device	SCSI Target
Internal CD-ROM drive (SCSI target factory-configured)	6
External disk drives	0, 1, 2*
External tape drives	4, 5
External CD-ROM drive	6*

1. Do not assign target 1, 3, or 6 to an external device if it is automatically assigned to an internal device.

TABLE C-2 SCSI Targeting—Solaris 2.x (SunOS 5.x) Operating Systems

SCSI Device	SCSI Target
Internal disk, lower bay (SCSI target automatically assigned, if present)	3 ¹
Internal disk, upper bay (SCSI target automatically assigned, if present)	1
Internal CD-ROM drive (SCSI target factory-configured)	6
External disk drives	0, 1, 2, 4, 5, 6*
External tape drives	0, 1, 2, 4, 5, 6*
External CD-ROM drive	0, 1, 2, 4, 5, 6*

1. Do not assign target 1, 3, or 6 to an external device if it is automatically assigned to an internal device.

FORTH Diagnostics

This appendix explains FORTH Diagnostic tests. The following topics and tests are described.

- “Running the FORTH Diagnostics” on page 149
- “test <alias name>, test <device path>” on page 151
- “test-all” on page 151
- “watch-clock” on page 151
- “watch-net, watch-aui, watch-tpe, and watch-net-all” on page 152
- “probe-scsi, probe-scsi-all” on page 154
- “module-info” on page 154
- “test-memory” on page 155
- “Returning to the Old-Style Sunmon Compatibility Mode Prompt” on page 155

You have access to a number of additional tests in the boot PROM called FORTH Diagnostics. To invoke these tests, you must enter the FORTH Monitor.



Caution - To run the FORTH Diagnostics, you must halt the system in an orderly manner. When the operating system or any other standalone program has already booted, do not press Stop-a to halt the system. Abruptly aborting program execution may cause damage to data files.

Running the FORTH Diagnostics

1. **Save all your work and quit all applications.**

Consult your software documentation for instructions on ending a work session and saving your files.

2. Return to the operating system environment.

If you are in a windowing environment, exit from it and wait for the operating system prompt to appear. See the documentation supplied with your windowing system.

3. Halt the operating system.

See the documentation supplied with your operating system for instructions on how to halt it.

a. For Solaris 2.x (SunOS 5.x) systems, type:

```
% su
Password: superuser password
# /usr/sbin/shutdown -y -g60 -i0
```

b. For Solaris 1.x (SunOS 4.x) systems, type:

```
% su
Password: superuser password
# /usr/etc/shutdown -h +1
```

The operating system warns other users of your system of the impending shutdown, and then halts itself after a one-minute delay. If you wish to provide a longer delay, see the man page for `shutdown(1)`.

The system synchronizes the file systems and brings you to either the `>` or `ok` prompt.

If you see the `ok` prompt, skip ahead to Step 5; otherwise, continue with Step 4.

4. Enter `n` at the `>` prompt to get to the `ok` prompt.

5. Enter `reset` at the `ok` prompt.

6. When you see the system banner, press `Stop-a` to access the FORTH Monitor.

7. If you see the `>` prompt, enter `n` to get to the `ok` prompt.

8. Enter `help diag` at the `ok` prompt to get a list of tests that comprise the FORTH Diagnostics.

9. Enter the name of the test you wish to execute.

The following example shows a list of FORTH Diagnostic tests.

```

ok help diag
  Category: Diag (diagnostic routines)
test  device-specifier ( -- ) run selftest method for specified device
  Examples:
    test /memory      - test memory
    test /iommu/sbus/ledma/le  - test net
    test floppy       - test floppy disk drive
    test net          - test net (device-specifier is an alias)
    test scsi         - test scsi(device-specifier is an alias)
watch-clock          (-- ) show ticks of real-time clock
watch-net            (-- ) - monitor broadcast packets using auto-selected interface
watch-aui            (-- ) - monitor broadcast packets using AUI interface
watch-tpe            (-- ) - monitor broadcast packets using TPE interface
watch-net-all       (-- ) - monitor broadcast packets on all net interfaces
probe-scsi           (-- ) - show attached SCSI devices
probe-scsi-all      (-- ) - show attached SCSI devices for all host adapters
test-all            (-- ) - execute test for all devices with selftest method
test-memory          (-- ) - test all memory if diag-switch? is true, otherwise test memory
                        specified by selftest-#megs

```

test <alias name>, test <device path>

The `test` command, combined with a device alias or device path name, will execute that device self-test program. If a device has no self-test program, this message will be displayed: `No selftest method for <device name>`. To run the self-test program for a device, type the `test` command followed by the device alias or device path name. An example is shown below.

```

ok test floppy
Testing floppy disk system. A formatted disk should be in the drive.
Test succeeded.

```

test-all

The `test-all` command tests all devices in the system that have a self-test program. Tests are executed in order, using the device tree (viewed with the `show-devs` command) as reference. Disks, tapes, and CD-ROMs are not tested by `test-all`.

watch-clock

This test reads a register in the NVRAM/TOD (nonvolatile RAM/Time-of-Day) chip on the main logic board and displays the result as a seconds counter. The counter

should count from 0 to 59 repeatedly until you interrupt it by pressing any key on the keyboard.

The following screen gives you an example of a watch-clock test.

```
ok watch-clock
Watching the 'seconds' register of the real-time clock chip.
It should be 'ticking' once a second.
Type any key to stop
41
```

watch-net, watch-aui, watch-tpe, and watch-net-all

These tests monitor broadcast Ethernet packets on the Ethernet cable(s) connected to the system. Good packets received by the system are indicated by a period (.) displayed on the screen. Errors are indicated with an X and the error description.

For example:

```
ok watch-net
Using AUI Ethernet Interface
Lance register test -- succeeded
Internal loopback test -- succeeded
External loopback test -- Lost Carrier (transceiver cable problem?) send failed

Using TP Ethernet Interface
Lance register test -- succeeded
Internal loopback test -- succeeded
External loopback test -- succeeded
Looking for Ethernet packets.
'.' is a good packet. "X" is a bad packet.
Type any key to stop.
.....
```

SPARCstation 5 systems have two types of Ethernet interfaces, 10BaseT (also called twisted-pair Ethernet or TPE) and 10Base5 (also called thick Ethernet or AUI). Only one Ethernet interface may be connected at a time. The system can automatically select which interface is connected and active.

The AUI port is first tested by transmitting packets and checking for “no carrier” or response packets. If the AUI test fails, the TPE port is then tested.

Entering `watch-aui` causes this automatic selection to take place. You may see these messages:

```
ok watch-aui
Using AUI Ethernet Interface
Lance register test -- succeeded
Internal loopback test -- succeeded
External loopback test -- Lost Carrier (transceiver cable problem?) send failed.
```

ok

You may also control the selection of Ethernet interfaces to monitor by using specific commands. Use `watch-tpe` to monitor the 10BaseT (TPE) connection or `watch-aui` to monitor the 10Base5 (thick Ethernet) connection.

For example:

```
ok watch-tpe
Using TP Ethernet Interface
Lance register test -- succeeded
Internal loopback test -- succeeded
External loopback test -- succeeded
Looking for Ethernet packets.
'.' is a good packet. "X" is a bad packet.
Type any key to stop.
.....
```

The `watch-net-all` command monitors Ethernet packets on any Ethernet interface installed in the system. For example, if you have an SBus Ethernet card installed in one of the system SBus slots, `watch-net-all` will start by monitoring Ethernet transmissions detected by that card.

When you interrupt the test on that interface by pressing any key, `watch-net-all` then goes on to test the next Ethernet interface it finds in the system.

For example:

```
ok watch-net-all
/ionmu@0,10000000/sbus@0,10001000/ledma@5,8400010/le@5,8c00000

Using AUI Ethernet Interface
Lance register test -- succeeded
Internal loopback test -- succeeded
External loopback test -- Lost Carrier (transceiver cable problem?) send failed.

Using TP Ethernet Interface
Lance register test -- succeeded
Internal loopback test -- succeeded
External loopback test -- succeeded
Looking for Ethernet packets.
'.' is a good packet. "X" is a bad packet.
Type any key to stop.
.....
ok
```

probe-scsi, probe-scsi-all

The `probe-scsi` test sends an inquiry command to internal and external SCSI devices connected to the system's internal SCSI interface. If a SCSI device is connected and powered up, the target address, unit number, device type, and manufacturer name should be displayed.

For example:

```
ok probe-scsi
Target 3
  Unit 0 Disk SEAGATE ST1480 SUN04245828 Copyright (c) 1991 Seagate All rights reserved.
```

The `probe-scsi-all` test sends an inquiry command to all SCSI devices on all the SCSI host adapters installed in the system. The first identifier listed in the display is the SCSI host adapter address in the system device tree, followed by the SCSI device identification data.

For example:

```
ok probe-scsi-all
/iommu@0,100000000/sbus@0,10001000/espdma@5,8400000/esp@5,8800000
Target 1
  Unit 0 Disk CONNER CP30548 SUN0535AEBX93081QTT
Target 3
  Unit 0 Disk CONNER CP30548 SUN0535AEBX93081QTT
Target 6
  Unit 0 Removable Read Only device TOSHIBA CD-ROM XM-4101TA289310/16/93
```

module-info

This command reports back the system CPU information including: the microprocessor name, its revision, the speed at which it is running in megahertz, and the SBus speed in megahertz.

For example:

```
ok module-info
CPU FMI,MB86904 Rev. 2.0 : 70.0 Mhz
SBus (Divide By 3)      : 23.3 Mhz
ok
```


test-memory

All of the system main memory will be tested if the system `diag-switch?` parameter is `true`. If the `diag-switch?` parameter is `false`, this test uses the `selftest-#megs` parameter in NVRAM to determine how much memory to test. The default for the `selftest-#megs` parameter is 1, so only 1 megabyte of memory is tested.

To change the default amount of memory tested using the `selftest-#megs` default parameter, type this command:

```
ok setenv selftest-#megs 256
```

This sets the desired memory size to be tested to 256 megabytes.

When testing the installed memory alone, if `diag-switch?=false`, the `selftest-#megs` parameter takes a default value of 1 megabyte (factory-defined value) or the value you set using `setenv` shown in the example above.

Any whole number may be used up to 256, and if the number exceeds the amount of installed memory, all the installed memory in the system is tested. When the `test-memory` diagnostic is running, the number of megabytes being tested is displayed and counted down to zero during the test.

See the OpenBoot Command Reference for a detailed description and step-by-step instructions for the available FORTH Diagnostic tests.

Returning to the Old-Style Sunmon Compatibility Mode Prompt

If you need to return to the `>` prompt from the FORTH Monitor, type `old-mode` at the `ok` prompt.

```
ok old-mode  
>
```


Glossary

address	Refers to a location within a computer system memory. The word <i>location</i> is a synonym. Reference is usually made to an <i>address</i> for the purpose of retrieving or storing information.
A RMS	Amperes root mean square. RMS is often used in power measurements for electronic equipment.
attachment unit interface (AUI) port	The port on the SPARCstation 5 system unit where the AUI adapter cable is connected.
board	See <i>printed circuit board</i> .
boot	To load the system software into memory and start the system running.
boot PROM	Refers to a specific PROM chip on the system board. This chip contains boot code and a FORTH Monitor program. The boot PROM is connected to the I/O data bus.
boot PROM diagnostics	The diagnostic firmware contained in the boot PROM. These diagnostics include the Power-On Self-Test (POST) and on-board diagnostics.
buffer	The auxiliary data-storage device that holds data temporarily, and that may also perform other functions in conjunction with various I/O machines.
cables	Wires or bundles of wires configured with connectors at each end and used to connect two or more hardware devices.
cache	A mechanism for accelerating a microprocessor performance. A cache is a small, fast memory between the microprocessor and main

memory. It stores the most recently used information (data, instructions, etc.), and provides such information again to the microprocessor more rapidly than could main memory.

card	See <i>printed circuit board</i> .
CPU	Central processing unit.
CRU	Customer-replaceable unit.
DMA	Direct memory access.
DRAM	Dynamic random access memory.
DSIMM	DRAM single in-line memory module. A small printed circuit card that contains dynamic random access memory (DRAM) chips.
Ecache	External cache. Cache that is located external to the microprocessor. See also <i>cache</i> .
FORTH	A high-level programming language. A major feature of FORTH is that user-defined operators can be used as if they were primitives.
FORTH Toolkit	An interactive command interpreter based on the FORTH programming language. While in the Toolkit, you will see the <code>ok</code> prompt. The Toolkit gives you access to an extensive set of functions for performing fault isolation and debugging.
frame buffer board	A printed circuit board installed in an SBus slot of the system unit that controls a video display.
FRU	Field-replaceable unit.
IC	Integrated circuit.
ID	Identification.
I/O	Input/output. A device that inputs data to a computer CPU and receives data from a computer CPU. Examples of I/O devices include keyboards, mice, monitors, and peripherals devices.
IU	Integer unit.
LANCE	Local area network controller for Ethernet.

LED	Light-emitting diode.
Location	See <i>address</i> .
MBus module	A printed circuit board installed in an MBus slot of the system unit that contained the CPU circuitry and components.
Monitor (1)	Indicated by the > prompt. From the > prompt, you can boot the system, continue the execution of a halted program, or enter the FORTH Toolkit.
Monitor (2)	A video display unit that is part of the SPARCstation 5 system. It is not synonymous with terminal.
MMU	Memory management unit.
NVRAM	Nonvolatile RAM.
On-Board Diagnostics	A test that allows you to test the control registers, the network controller, the diskette drive system, memory, the cache, the system clock, and watch the network for valid packets.
Pok	Power ok. A signal from the power supply that is activated after DC voltages have risen.
POST	Power-On Self-Test. The POST runs when you turn on the system power switch or reboot the system and press and hold the L1-d keys. The POST, stored in the boot PROM, is a series of rudimentary tests designed to verify that the major components on the system board are working properly.
printed circuit board	Any board with electronic wiring etched on it.
PROM	Programmable read only memory.
RAM	Random access memory.
ROM	Read only memory.
SBus card	A printed circuit board installed in an SBus slot of the system unit.
SCC	Serial communications controller.
SCSI	Small computer system interface; pronounced "scuzzy."

SIA	Serial interface adapter.
SunDiag System Exerciser	Diagnostic software that runs under SunOS system software; displays real-time use of system resources and peripheral equipment such as Desktop Storage Packs and External Storage Modules.
system Monitor	See <i>Monitor (1) or (2)</i> .
terminal	A device that consists of a video display and keyboard that is used to type and display information. A terminal may be connected to either of the serial interface ports on the back panel of the SPARCstation 5 system. It is not the same thing as a monitor.
TOD	Time-of-Day clock.
TPE	Twisted-pair Ethernet.
UART	Universal asynchronous receiver/transmitter.
wrist strap	A device that provides grounding for static electricity between your body and the system unit chassis. Electric current and voltage do not pass through the wrist strap.

Index
